

# BRAVILOR® BONAMAT



Operating instructions  
GENERAL

GB

Mode d'emploi  
GÉNÉRALITÉS

FR

Gebrauchsanleitung  
ALLGEMEINES

DE

Gebruiksaanwijzing  
ALGEMEEN

NL

Bruksanvisning  
ALLMÄNT

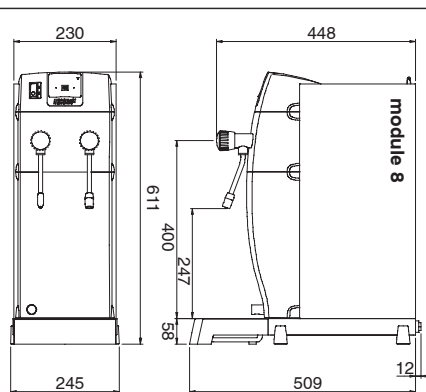
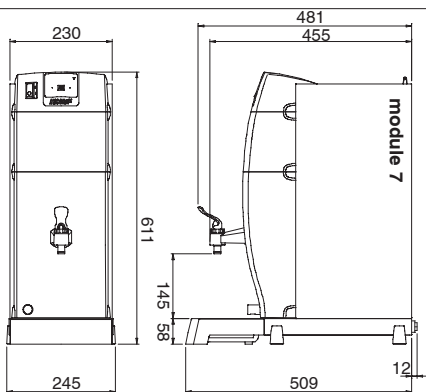
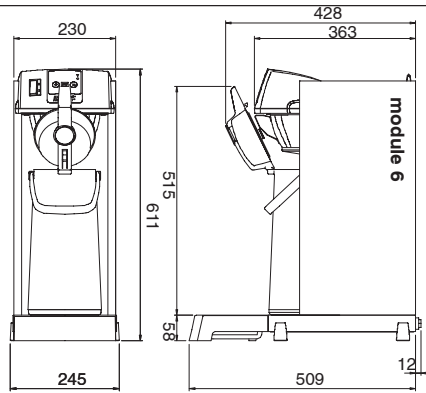
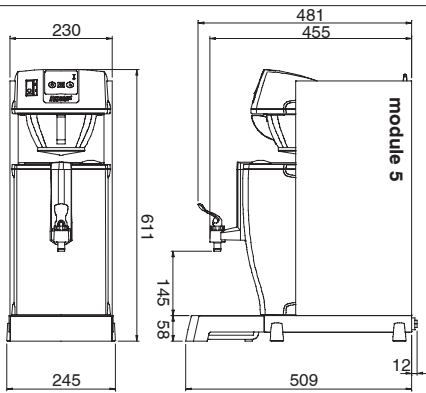
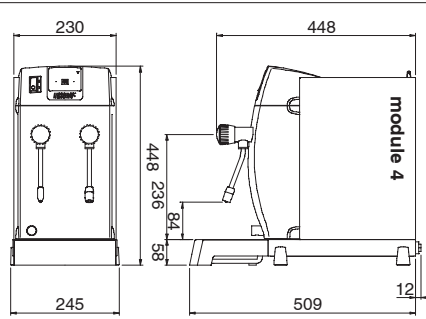
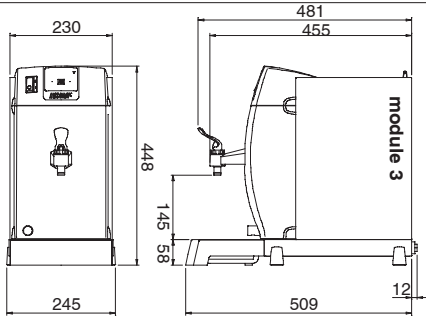
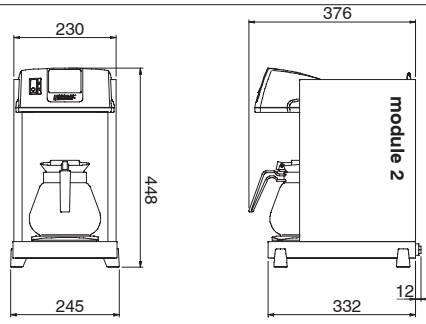
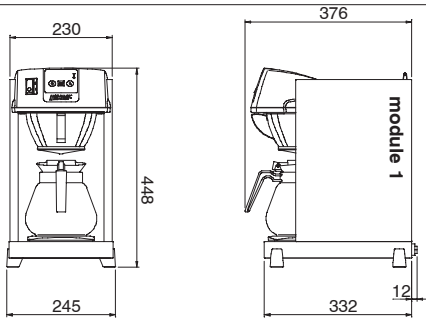
SE

Bruksanvisning  
GENERELT

NO



# RLX



# Bravilor Bonamat<sup>®</sup>

GB

**RLX**

**GENERAL**

700.403.329B  
Bravilor Bonamat<sup>®</sup>  
© 12-2001

Bravilor Bonamat  
Pascalstraat 20  
1704 RD Heerhugowaard  
The Netherlands

All rights reserved.

No part of this document may be copied and/or published by means of printing, photocopying, microfilming or by any other means whatsoever without the prior written consent of the manufacturer. This applies equally to the included drawings and/or diagrams.

The information contained in this document is based on general data concerning the construction, materials characteristics and working methods known to us at the time of publication and therefore we reserve the right to make changes without notice. For this reason the instructions contained in this document should be treated as a guide to the installation, use and maintenance, of the machine indicated on the front cover.

This document applies to the standard version of this machine. The manufacturer therefore accepts no liability for any damage arising from specifications that deviate from the standard version of the machine as delivered to you.

Every possible care has been taken in the production of this document, but the manufacturer accepts no liability for any errors in this document or for any consequences arising therefrom.

**TAKE THE TIME TO CAREFULLY READ THIS DOCUMENT BEFORE USING THE MACHINE.  
DURING READING KEEP THE FOLD-OUT OPEN.  
KEEP THIS DOCUMENT NEAR THE MACHINE AT ALL TIMES.**

## PREFACE

### Using this document

This document is intended to provide instructions for authorized users to install, use and maintain the machine in a safe manner.

**The instructions for use comprise a general section and a specific section per module forming a part of your machine.**

The words "left", "right", "front" and "back" are used in this document to indicate a particular part of the machine. The point of departure here is the position of the user standing at the operating side.

### Icons and symbols

In this **document** the following icons and symbols can be found:

**TIP**

- Hint, suggestion or advice to carry out certain tasks more easily or neatly.

**CAUTION!**

- Procedures that can result in damage to the machine, the surrounding area or the environment if they are not carried out with due care.

**WARNING**

- △ Procedures that can result in serious damage to the machine or in physical injury if they are not carried out with due care.

**WARNING**

- △ Risk of electric shock.

**WARNING**

- △ Risk of burns.

### Related documents

The following related documents are available:

- Specific user instructions coffee and Wide Body module : 700.703.275
- Specific user instructions hot-water module : 700.703.276
- Specific user instructions hot-water/steam module : 700.703.277
- RLX maintenance manual : 700.703.Pxx

### Document code

Document codes consist of two fields:

- Field 1: document number (if required followed by the revision number)
- Field 2: revision date

## **Service and technical support**

Please contact your dealer for information concerning the specific setting, maintenance or service activities that fall outside the scope of this document. He will always be happy to help you. When doing this, always ensure that you have the following details at hand:

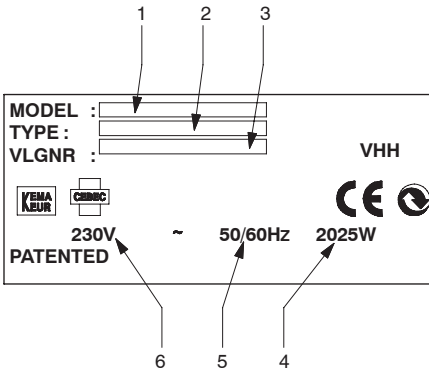
- Model code
- Type number
- Serial number

This data can be found on the identification plate. Write down the data of the identification plate in the intended fields (fig.1 ).

## **Guarantee conditions**

The guarantee conditions applicable to this machine form part of the terms of delivery.

## **Identification of the machine**



*Fig. 1 Identification plate*

1. Model code
2. Type number
3. Serial number
4. Output capacity
5. Frequency
6. Supply voltage

# Table of contents

<b>Preface</b> .....	<b>I</b>
<b>Using this document</b> .....	<b>I</b>
Icons and symbols .....	I
Related documents .....	I
Document code .....	I
Service and technical support .....	II
Guarantee conditions .....	II
<b>Identification of the machine</b> .....	<b>II</b>
<b>Safety instructions and danger warnings</b> .....	<b>IV</b>
General .....	IV
Instructions for use .....	IV
Icons and instructions on the machine (if present) .....	IV
Users .....	IV
Technical specifications .....	IV
Modifications .....	IV
Installation .....	V
Use .....	V
Maintenance and repairing failures .....	V
Safety devices present .....	VI
<b>Machines and the environment</b> .....	<b>VI</b>
Packaging material .....	VI
Disposal of the machine .....	VI
<b>1. General</b> .....	<b>1</b>
<b>1.1 The machine</b> .....	<b>1</b>
1.1.1 General description .....	1
1.1.2 The modules .....	1
1.1.3 Preferred circuit .....	1
<b>1.2 Technical data</b> .....	<b>1</b>
1.2.1 Weights and measurements .....	1
1.2.2 Electrical system .....	1
1.2.3 Water system .....	1
1.2.4 Recommended cleaning and descaling agents .....	1
<b>1.3 Installation</b> .....	<b>2</b>
1.3.1 Unpacking .....	2
1.3.2 First use .....	2
<b>1.4 Use</b> .....	<b>2</b>
1.4.1 Controls .....	2
<b>1.5 Maintenance</b> .....	<b>3</b>
1.5.1 Daily .....	3
1.5.2 Once a week .....	3
1.5.3 Descaling .....	3
1.5.3.1 Descaling indicator .....	3
1.5.3.2 Setting descaling signal .....	3
<b>1.6 Correcting malfunctions</b> .....	<b>4</b>
1.6.1 Troubleshooting general .....	4
<b>1.7 Consumable goods and accessories</b> .....	<b>4</b>
1.7.1 Recommended consumable goods .....	4
1.7.2 Accessories .....	4

---

## **Safety instructions and danger warnings**

### **General**

The manufacturer accepts no liability whatsoever for damage or injury resulting from a failure to (strictly) observe the safety instructions contained in this document or resulting from negligence during the installation, use or maintenance of the machine specified on the front covers of these documents or of any related accessories.

Additional safety instructions may be required, depending on the specific working conditions or accessories used. Please contact your dealer if you think there may be any potential danger in using the machine.

### **Instructions for use**

- Each person working with the machine should know the contents of this document and carefully follow the instructions contained. The management must instruct the personnel on the basis of this document and take all the instructions and recommendations into account.
- Always keep this document near the machine.

### **Icons and instructions on the machine (if present)**

- Icons, warnings and instructions attached to the machine form part of the safety provisions. They must not be covered or removed and they must be present and remain legible throughout the life of the machine. Any icon, warning or instruction that becomes illegible must be repaired or replaced immediately.

### **Users**

### **Technical specifications**

The specifications given in this document may not be modified.

### **Modifications**

Modification of (parts of) the machine is not allowed.



---

## Installation

- The maximum acceptable ambient temperature with which a good operation can be guaranteed is 40°C.
- Never install the machine in an environment where the temperature can drop below 0°C.
- Do not turn over the machine, move it upright.
- Never install the machine in places where water is sprayed or sprinkled.
- Never install the machine in front of entrances, exits or passageways intended for emergency services.
- Place the machine on a sufficiently solid, flat surface close to a water connection, water discharge and an earthed electrical power outlet.
- Connect the machine to the electrical supply in such a way that the power can easily be disconnected.
- Machines hard wired into mains electricity supply we advise to use an Earth Leakage Circuit Breaker (ELCB) of the appropriate rating (max. 30 mA).
- Leave sufficient space at the back and front of the machine for maintenance and repair purposes.
- The machine should be connected to the electricity mains in such a way that all phases and the zero can easily be disconnected. The minimum distance between the contacts and the disconnected position should be at least 3 mm.
- Connect the machine to a readily accessible, manually operated water tap, so that the water supply can easily be turned off.
- Always observe local rules and standards when installing this machine.

## Use

- Inspect the machine before use and check for damages.
- Protect the machine against water and moisture. Do not wet the machine by spraying and never submerge the machine in water.
- Keep the operating controls free from dirt and grease.
- Note that during use some parts of the machine become very hot.
- Disconnect the electricity grid and the water supply when the machine will not be used for a longer period. Clean the machine following the instructions. Discharge the water.
- Should the internal water ways of the machine become frozen, disconnect from the mains, turn off the water supply and disconnect and place the machine in a warm environment until the water ways have defrosted. Inspect and test machine for water leakage.

## Maintenance and repairing failures

- Repair and maintenance activities not included in this document must always be carried out by service mechanics.
- If the mains lead is visibly damaged, it has to be replaced by a qualified service technician.
- Observe the given maintenance intervals. Overdue maintenance can lead to high repair costs and may cause guarantee claims to become invalid.
- Do not carry out any maintenance activities concerning the machine before having it protected against unintentional coming into operation. In such cases disconnect the electricity grid.
- Never leave the machine during maintenance activities.
- For cleaning the machine only use the cleansing agent and descaler recommended by the manufacturer.
- Always wear suitable facial protection and gloves while working with cleansing and descaling materials. Wash your hands after using these materials.
- Prevent damage of the machine caused by spilled descaler solution. Remove spilled solution as quickly as possible and follow the previously mentioned safety instructions.

---

## **Safety devices present**

The machine is default provided with the following safety devices:

- Using the ON/OFF–switch the machine is switched on or off. After switching off there is still some residual voltage in the electrical system. Remove the plug from the wall outlet in order to take away this residual voltage.
- Drip–tray to prevent trouble caused by spilled drink.
- Overflow protection that prevents the machine from taking in more water than allowed.
- Thermal safety device that interrupts the power when the water temperature in the boiler becomes too high.
- Over–pressure protection, only in *modules 4 and 8*, which prevents the pressure within the boiler from reaching unacceptable levels.

## **Machines and the environment**

### **Packaging material**

The main components of the packaging material for transport and protection of the machine are the following:

- Corrugated board
- Polystyrene elements

Generally, the packaging material can be returned through your dealer after installation of the machine. If this is not be possible, ask your local authority refuse department how you can dispose of the materials.

### **Disposal of the machine**

Machines that you wish to dispose of can usually after consultation be returned to your dealer. If this is not possible, inquire with your local authority about the possibilities for re–use or environmentally–friendly processing of the materials. All plastic parts have been clearly coded for this purpose. The printed–circuit board in the machine and the components connected to this should be consigned to electrical or electronic refuse.

## 1. GENERAL

### 1.1 The machine

#### 1.1.1 General description

The machines from the RLX series are designed for making coffee, for supplying hot water and for heating drinks using steam.

One machine is an assembly comprising one or more modules.

In this document, the general information for all modules is discussed.  
Please also read the user instructions for the specific modules.

#### 1.1.2 The modules

The figures in the model description indicate the modules comprising your particular machine.

In table 1, the various **standard** modules are shown.

Module	Type	Remark
1	coffee	with glass jug
2	wide body	with hot plate
3	hot water	low model
4	hot water/steam	low model
5	coffee	with container
6	coffee	with airpot
7	hot water	high model
8	hot water/steam	high model

Table 1 The various modules

#### Example:

The RLX 231 comprises:

- a wide body module (2) on the left,
- a low model hot-water module (3) in the middle, and
- a glass-jug coffee module (1) on the right.

#### 1.1.3 Preferred circuit

Depending on the configuration, your machine may be equipped with a preferred circuit. An electronic circuit within the machine will make sure that no two high-powered modules can be switched on at the same time. If your machine is equipped with a preferred circuit, the coffee module will be in the preferred position. This means that the other modules will be switched off or partly switched off by the control system, as soon as the coffee module is switched on. Ask your Bravilor Bonamat® dealer, your service technician, or one of the service agencies about the various options.

## 1.2 Technical data

### 1.2.1 Weights and measurements

- See the fold-out.

### 1.2.2 Electrical system

- See the identification plate for the correct values.

### 1.2.3 Water system

- Water hardness : min. 5 °DH
- Min. water pressure (supply) : 50 kPa (0,5 bar)
- Max. water pressure (supply) : 1000 kPa (10 bar)
- Flow-rate : 5,5 l/min
- Conductivity : 100 µ Siemens/cm

### 1.2.4 Recommended cleaning and descaling agents

Cleaning material : CLEANER

Descaler : RENEGITE

- See §1.7.1 for ordering the cleaning and de-scaling materials.



#### TIP

- See the fold-out for the **standard** models.

## 1.3 Installation

### 1.3.1 Unpacking

1. Check that the machine is complete.
  2. Please contact your dealer if any components are missing or damaged.
- The contents of the package, in the case of a **standard** model, consist of:

	RLX														
	3	4	5	31	41	55	75	76	85	13 1	23 1	24 1	57 5	58 5	
drip-tray	1x	1x	1x	1x	1x	2x	2x	1x	2x	1x	1x	1x	3x	3x	
water connecting hose	1x	1x	1x	1x	1x	1x	1x	1x	1x	1x	1x	1x	1x	1x	
filter paper	-	-	1x	1x	1x	1x	1x	1x	1x	1x	1x	1x	1x	1x	
filter pan (with spring)	-	-	1x	1x	1x	1x	1x	1x	1x	1x	1x	1x	1x	1x	
glass jug	-	-	-	1x	1x	-	-	-	-	2x	2x	2x	-	-	
measuring spoon	-	-	1x	1x	1x	1x	1x	1x	1x	1x	1x	1x	1x	1x	
Cleaner	-	-	1x	1x	1x	1x	1x	1x	1x	1x	1x	1x	1x	1x	
Renegite	1x	-	1x	1x	1x	1x	1x	1x	1x	1x	1x	1x	1x	1x	
funnel (for descaling)	-	-	1x	1x	1x	1x	1x	1x	1x	1x	1x	1x	1x	1x	
gauge glass brush	-	-	1x	-	-	1x	1x	-	1x	-	-	-	1x	1x	

Table 2 Contents of the package

### 1.3.2 First use



#### **WARNING**

△ The power supply voltages may vary from one country to the next. Details of the required supply voltage and frequency can be found on the identification plate.

1. First of all, read the chapter "Safety instructions and danger warnings".
2. Place the machine on a firm, smooth underground, which may not be more than 5° off plumb.
3. Place the machine nearby a water tap, if possible a drain and an earthed wall socket.
  - Leave sufficient space at the back and front of the machine for maintenance and repair purposes.
4. Connect the machine to the manual tap using the water hose supplied.
  - Make sure that the water supply can easily be turned off using the tap.
5. Open the tap.
6. Connect the plug to the wall socket.
7. The module(s) have to be flushed.
  - For instructions, please read the paragraph concerned in the specific user instructions.

## 1.4 Use

### 1.4.1 Controls

The control panel is provided with 2 push buttons, 1 or 2 indicator lights and a display.

On the display, different symbols will appear, showing various values and messages, which are explained in the user instructions of the specific modules.

## 1.5 Maintenance

### 1.5.1 Daily

1. Remove the complete drip tray.
2. Wash all components in hot water with a normal washing-up liquid.

### 1.5.2 Once a week

1. Remove the drip-tray.
2. Dissolve 1 bag of **Cleaner** in 3 l of water (min. 80°C).
3. Immerse the parts to be cleaned in this solution.
4. Leave to steep thoroughly (max. 30 min.).
5. Thoroughly rinse the parts with hot water.
6. Wipe the outside of the machine with a damp cloth. When cleaning, **never** use an abrasive or corrosive cleaning product.
7. Dry the machine with a soft cloth.
8. Replace the drip tray in front of the machine.

### 1.5.3 Descaling

#### 1.5.3.1 Descaling indicator

During use, a scaling process will take place inside the machine. The coffee, hot-water, and steam modules are provided with a descaling warning system ▽ that indicates when the machine must be descaled.

#### 1.5.3.2 Setting descaling signal

*Only for Modules 3, 4, 7 and 8.*

The number of litres of water flowing through the module before the descaling warning system is activated, can be adjusted.

- Bear in mind the hardness of the water (see table 3 ).

Position	Signal after number of liters	Water hardness		
		°DH	°TH	Description
OFF	No signal	–	–	–
1	± 250 liter	18–30	32–55	hard
2	± 500 liter	12–18	22–32	rather hard
3	± 1000 liter	8–12	15–22	average
4	± 1500 liter	4–8	7–15	soft
5	± 2000 liter	0–4	0–7	very soft
4,0	°DH = 0,714 mmol/liter			
5,6	°DH = 1,000 mmol/liter			
8,0	°DH = 1,429 mmol/liter			
12,0	°DH = 2,143 mmol/liter			
18,0	°DH = 3,214 mmol/liter			
30,0	°DH = 5,357 mmol/liter			
10,0	°TH = 1,000 mmol/liter			

*Table 3 Water hardness settings*

#### **TIP**

- Ask your local water company about the hardness of the water they supply.



## 1.6 Correcting malfunctions

In case of malfunctions first consult the malfunctions tables. If the problem cannot be solved, consult your Bravilor Bonamat® dealer, your service mechanic or one of the service desks.

### 1.6.1 Malfunctioning analysis general

LIST OF MALFUNCTIONS		
Symptom:	Possible cause:	Actions:
1. The machine does not work and there is nothing on the display.	The plug is not connected to the wall socket.	Connect the plug to the wall socket.
	External fuse has blown.	Reset or replace the external fuse.
	Group is overloaded.	Connect the machine to another group.

## 1.7 Consumable goods and accessories

### 1.7.1 Recommended consumable goods

Description	Ordering number	Quantity
Filter paper	7.150.101.101	1000 pieces
Descaler (RENEGITE)	7.190.101.103	48 x 50 gr.
	7.190.103.103	40 x 100 gr.
	7.190.102.101	6 x 1 kg.
Cleaning material (CLEANER)	7.191.101.212	60 x 15 gr.
	7.191.102.201	10 x 1 kg.

### 1.7.2 Accessories

Tea filter pan : 7.091.102.101

# Bravilor Bonamat<sup>®</sup>

FR

## RLX

## GÉNÉRALITÉS

700.403.329  
Bravilor Bonamat<sup>®</sup>  
© 12-2001

Bravilor Bonamat  
Pascalstraat 20  
1704 RD Heerhugowaard  
Pays Bas

Tous droits réservés.

La reproduction de tout ou partie de ce document par impression, photocopie, microfilm ou tout autre moyen sans le consentement écrit du fabricant est interdite. Cette interdiction s'applique également aux dessins et/ou diagrammes inclus dans le document.

L'information contenue dans ce document est basée sur les données générales concernant la construction, les caractéristiques des matériaux et les méthodes de travail portées à notre connaissance au moment de la publication. Nous nous réservons le droit de modifier ce document sans préavis. Ces instructions doivent par conséquent être considérées comme un guide d'installation, d'emploi et de maintenance de la machine indiquée sur la couverture.

Ce document s'applique à la version standard de cette machine. Le fabricant n'acceptera par conséquent aucune responsabilité concernant les dommages provoqués par des spécifications ne répondant pas à la version standard de la machine telle qu'elle vous est livrée.

La production de ce document a fait l'objet de tous nos soins. Le fabricant n'acceptera toutefois aucune responsabilité concernant d'éventuelles erreurs ni des conséquences pouvant en dériver.

**PRENEZ LE TEMPS DE LIRE CE DOCUMENT DE MANIERE APPROFONDIE AVANT D'UTILISER LA MACHINE.**

**GARDEZ LE DEPLIANT OUVERT PENDANT LA LECTURE.**

**CONSERVEZ TOUJOURS CE DOCUMENT PRES DE LA MACHINE.**



# PRÉFACE

## Utilisation de ce document

Ce document a été conçu pour fournir aux personnes autorisées les instructions leur permettant d'installer, d'utiliser et d'effectuer l'entretien de la machine.

**Les instructions des modes d'emplois comprennent une section générale ainsi qu'une section spécifique par module faisant partie de votre machine.**

Les mots "gauche", "droit", "avant" et "arrière" sont utilisés dans ce document pour signaler une partie déterminée de la machine. Le point de référence est la position de l'utilisateur se trouvant face au côté de la machine sur lequel il doit travailler.

## Icônes et symboles

Dans ce **document**, vous trouverez les icônes et les symboles suivants:



### **CONSEIL**

- Astuce, suggestion ou conseil pour réaliser plus facilement ou plus soigneusement certaines tâches.



### **ATTENTION!**

- Procédures pouvant endommager la machine, ses alentours ou l'environnement si elles ne sont pas effectuées avec l'attention requise.



### **AVERTISSEMENTS**

- △ Procédures pouvant endommager la machine ou provoquer des blessures si elles ne sont pas effectuées avec l'attention requise.



### **AVERTISSEMENTS**

- △ Risque de décharge électrique.



### **AVERTISSEMENTS**

- △ Risque de brûlures.

## Documents annexes

Les documents annexes suivants sont disponibles:

- Mode d'emploi pour module café et Bodyplaque de maintien en température : 700.403.275
- Mode d'emploi module générateur eau chaude : 700.703.276
- Mode d'emploi module générateur eau chaude/vapeur : 700.703.277
- Manuel d'entretien RLX : 700.703.Pxx

## Code des documents

Les codes des documents sont composés de deux champs:

- Champ 1: référence du document (éventuellement suivie du numéro de la mise à jour)
- Champ 2: date de de la mise à jour

## Service après-vente et support technique

Veuillez contacter votre revendeur pour tout renseignement concernant un réglage spécifique, l'entretien ou une révision n'entrant pas dans le cadre du présent document. Il aura toujours grand plaisir à vous aider. Avant de le contacter, assurez-vous d'avoir à portée de main les renseignements suivants:

- La référence du modèle
- Le type de la machine
- Le numéro de série

Ces renseignements se trouvent sur la plaque signalétique de la machine. Remplissez les champs prévus à cet effet sur la plaque signalétique représentée ci-dessous (fig.1 ).

## Conditions de garantie

Les conditions de garantie applicables à cette machine sont incluses dans les conditions de livraison.

## Identification de la machine

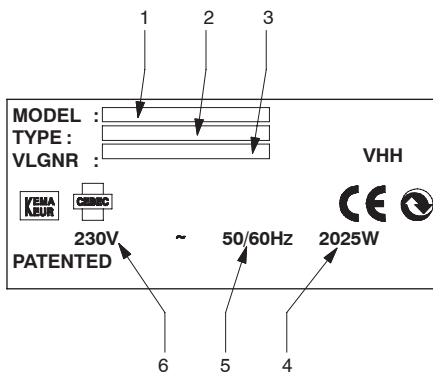


Fig. 1 Plaque signalétique

1. Référence du modèle
2. Type de la machine
3. Numéro de série
4. Puissance électrique
5. Fréquence de la tension
6. Tension d'alimentation

# Table des matières

<b>Préface</b> .....	<b>I</b>
<b>Utilisation de ce document</b> .....	<b>I</b>
Icônes et symboles .....	I
Documents annexes .....	I
Code des documents .....	I
Service après-vente et support technique .....	II
Conditions de garantie .....	II
<b>Identification de la machine</b> .....	<b>II</b>
<b>Instructions de sécurité et avertissements de danger</b> .....	<b>IV</b>
Général .....	IV
Instructions d'utilisation .....	IV
Icônes et instructions sur la machine (le cas échéant) .....	IV
Utilisateurs .....	IV
Utilisation convenable .....	IV
Spécifications techniques .....	IV
Modifications .....	IV
Installation .....	V
Utilisation .....	V
Maintenance et réparations .....	V
Dispositifs de sécurité présents sur la machine .....	VI
<b>Les machines et l'environnement</b> .....	<b>VI</b>
Matériel d'emballage .....	VI
Mise au rebut de la machine .....	VI
<b>1. Généralités</b> .....	<b>1</b>
<b>1.1 La machine</b> .....	<b>1</b>
1.1.1 Description générale .....	1
1.1.2 Les modules .....	1
1.1.3 Limiteur de puissance .....	1
<b>1.2 Renseignements techniques</b> .....	<b>1</b>
1.2.1 Poids et mesures .....	1
1.2.2 Système électrique .....	1
1.2.3 Circuit d'eau .....	1
1.2.4 Produits recommandés pour le nettoyage et le détartrage .....	1
<b>1.3 Installation</b> .....	<b>2</b>
1.3.1 Déballage de la machine .....	2
1.3.2 Première utilisation .....	2
<b>1.4 Utilisation</b> .....	<b>2</b>
1.4.1 Commandes .....	2
<b>1.5 Entretien</b> .....	<b>3</b>
1.5.1 Entretien journalier .....	3
1.5.2 Entretien hebdomadaire .....	3
1.5.3 Détartrage .....	3
1.5.3.1 Signalisation de détartrage .....	3
1.5.3.2 Réglage de la signalisation de détartrage .....	3
<b>1.6 Solution aux pannes possibles</b> .....	<b>4</b>
1.6.1 Analyse générale de la panne .....	4
<b>1.7 Accessoires et consommables recommandés</b> .....	<b>4</b>
1.7.1 Consommables recommandés .....	4
1.7.2 Accessoires .....	4

## Instructions de sécurité et avertissements de danger

### Général

Le fabricant ne sera en aucun cas responsable des dommages ou des blessures provoqués par le non respect des instructions de sécurité contenues dans ce document, qui doivent être strictement appliquées, ou par le fait de négligences pendant l'installation, l'utilisation ou l'entretien de la machine mentionnée en couverture de ces documents ou de tout accessoire s'y rapportant.

Des instructions supplémentaires de sécurité peuvent être demandées, selon les conditions de travail spécifiques requises pour les accessoires utilisés. Contactez votre revendeur si vous pensez qu'il existe un danger à utiliser la machine.

**L'utilisateur est pleinement responsable du respect des normes et réglementations locales de sécurité.**

### Instructions d'utilisation

- Toute personne travaillant avec la machine devra connaître le contenu de ce document et suivre attentivement les instructions qu'il contient. La direction devra former le personnel en se basant sur ce document et en tenant compte de toutes les instructions et de toutes les recommandations qui y sont données.
- Ne modifiez jamais l'ordre dans lequel les opérations doivent être effectuées.
- Conservez toujours ce document près de la machine.

### Îcônes et instructions sur la machine (le cas échéant)

- Les icônes, avertissements et instructions appliqués sur la machine font partie des mesures de sécurité. Ils ne doivent être ni enlevés ni cachés; ils doivent rester présents et lisibles sur la machine pendant toute sa durée de vie. Tout icône, avertissement ou instruction étant devenu illisible doit être réparé ou remplacé immédiatement.

### Utilisateurs

- La machine ne doit être utilisée que par des personnes autorisées et formées.

### Utilisation convenable <sup>1</sup>

La machine a été désignée pour produire du café, pour fournir de l'eau chaude ainsi que pour chauffer des boissons à l'aide de la vapeur. Son utilisation à toute autre fin n'est pas conforme à sa conception, et le fabricant n'acceptera aucune responsabilité pour des dommages ou des blessures que ceci peut provoquer. La machine est conforme aux normes en vigueur. N'utilisez la machine que si elle est en parfait état et seulement dans le but décrit ci-dessus.

### Spécifications techniques

Les spécifications indiquées dans ce document ne peuvent pas être modifiées.

### Modifications

Les modifications de la machine en tout ou partie sont interdites.

1. "L'utilisation convenable" telle que spécifiée dans la norme EN 292 est l'utilisation pour laquelle le produit technique est prévu, telle que déclarée par le fabricant – y compris toute instruction contenue dans le dépliant de vente. En cas de doute, il s'agit de l'utilisation qui résulte de façon évidente de la construction, la version et le fonctionnement du produit. Une utilisation convenable inclut la prise en compte des instructions fournies dans le "mode d'emploi".

---

## Installation

- La température ambiante maximale acceptable, à laquelle le bon fonctionnement de la machine peut être garanti, est de 40°C.
- Ne placez jamais la machine dans une pièce où la température peut descendre en dessous de 0°C.
- Ne retournez jamais la machine, déplacez-la en position debout.
- Ne jamais installer l'appareil dans des endroits d'arrosage ou de projection d'eau.
- N'installez jamais la machine dans une entrée, une sortie ou un passage prévu pour les cas d'urgence.
- Placez la machine sur une surface suffisamment plate et solide, près d'un point d'alimentation d'eau, d'une évacuation d'eau et d'une prise d'alimentation électrique reliée à la terre.
- Connectez la machine au circuit électrique d'alimentation de manière à pouvoir aisément couper l'alimentation.
- Il est recommandé de toujours raccorder électriquement les machines à la terre (max. 30 mA).
- Laissez un espace suffisant à l'arrière et à l'avant de la machine pour les travaux de réparation et d'entretien.
- La machine doit être branchée à l'électricité de telle façon que toutes les phases ainsi que le neutre peuvent facilement être déconnectés. La distance minimale entre les contacts et la position déconnectée doit être de 3 mm.
- Raccordez la machine à un robinet d'eau manuel, facilement accessible, de manière à pouvoir aisément couper l'arrivée d'eau.
- Lors de l'installation observer toujours les règles et normes locales en vigueur.

## Utilisation

- Inspectez la machine avant de l'utiliser et vérifiez qu'elle n'est pas endommagée.
- Protégez la machine contre l'eau et l'humidité. Ne mouillez pas la machine par des pulvérisations et ne la mettez jamais dans l'eau.
- Les commandes doivent rester propres et non graisseuses.
- Tenez compte du fait que pendant l'utilisation, certaines parties de la machine deviennent très chaudes.
- Déconnectez la machine du réseau électrique et de l'alimentation d'eau si elle ne va pas être utilisée pendant une longue période. Nettoyez la machine en suivant les instructions. Vidangez le circuit d'eau.
- Si la machine a été gelée, débrancher là électriquement, fermer l'arrivée d'eau, et attendre que la machine se dégèle.

## Maintenance et réparations

- La maintenance et les réparations non mentionnées dans ce document doivent toujours être effectuées par le service technique.
- Si le câble électrique est visiblement endommagé, il faut le faire remplacer par un technicien qualifié.
- Respectez les intervalles d'entretien établis. Les révisions tardives peuvent conduire à des pannes dont le coût de réparation sera élevé et annuler la garantie.
- N'effectuez aucune opération d'entretien sur la machine avant de vous assurer qu'elle ne peut pas se mettre accidentellement en marche. Dans ces cas, déconnectez-la du réseau électrique.
- Ne quittez jamais la machine pendant les opérations d'entretien.
- Pour le nettoyage de la machine, n'utilisez que le produit de nettoyage et le détartrant recommandés par le fabricant.
- Portez toujours une protection faciale adéquate et des gants lorsque vous travaillez avec des produits de nettoyage et de détartrage. Lavez-vous les mains après avoir utilisé ces produits.
- Pour éviter d'endommager la machine avec des éclaboussures de solution de détartrage, essayez la solution renversée aussi rapidement que possible et suivez les instructions de sécurité mentionnées précédemment.

---

## **Dispositifs de sécurité présents sur la machine**

La machine est fournie avec les dispositifs de sécurité suivants:

- La machine s'allume et s'éteint à l'aide de l'interrupteur MARCHE/ARRÊT. Certaine partie reste sous tension après avoir éteint la machine. Débranchez la prise du mur de manière à éliminer cette tension résiduelle.
- Un égouttoir pour éviter les problèmes causés par les boissons renversées.
- Un dispositif de protection contre les trop pleins qui empêche la machine de trop se remplir en eau.
- Un dispositif de sécurité thermique qui coupe le courant dès que la température de l'eau dans la chaudière est trop élevée.
- Un dispositif de protection contre la surpression, seulement dans les *modules 4 et 8*, qui empêche la pression dans la chaudière d'arriver à un seuil trop élevé.

## **Les machines et l'environnement**

### **Matériel d'emballage**

Les principaux composants du matériel d'emballage pour le transport et la protection de la machine sont les suivants:

- Carton ondulé
- Éléments en polystyrène

Habituellement, il est possible de retourner le matériel d'emballage à votre revendeur après avoir installé la machine. Si toutefois ce n'était pas possible, renseignez-vous auprès de votre service local de gestion des résidus pour savoir où jeter l'emballage.

### **Mise au rebut de la machine**

Les machines dont vous souhaitez vous débarrasser peuvent généralement, après consultation, être retournées à votre revendeur. Si toutefois ce n'était pas possible, renseignez-vous auprès des autorités locales sur les possibilités de recyclage du matériel. Toutes les pièces en plastique sont clairement codifiées à cet effet. Le circuit imprimé de la machine et les composants qui y sont connectés doivent être déposés dans une poubelle pour résidus électriques ou électroniques.

# 1. GÉNÉRALITÉS

## 1.1 La machine

### 1.1.1 Description générale

Les machines de la série RLX ont été désignées pour produire du café, pour fournir de l'eau chaude ainsi que pour chauffer des boissons à l'aide de la vapeur.

Une machine est composée de un ou plusieurs modules.

Ce document traite l'information générale pour l'ensemble des modules.  
Lisez également les instructions spécifiques pour chaque modules.

### 1.1.2 Les modules

Les chiffres dans la description du modèle indiquent les modules faisant partie de votre machine.

Le tableau 1 montre les différents modules **standards**.

Module	Type	Remarque
1	Café	avec cruche en verre
2	Maintien en température	avec une plaque chauffante
3	Générateur eau chaude	modèle bas
4	Générateur eau chaude et vapeur	petit modèle
5	Café	avec un container
6	Café	avec un airpot
7	Générateur eau chaude	grand modèle
8	Générateur eau chaude et vapeur	grand modèle

Tableau 1 Les différents modèles

#### Exemple:

La RLX 231 comprend:

- un module de maintien en température (2) à gauche,
- un module générateur eau chaude petit modèle (3) au milieu et
- un module de pour le café avec une cruche en verre (1) à droite.

### 1.1.3 Limiteur de puissance

En fonction de la configuration, votre machine peut être équipée d'un limiteur de puissance. Un circuit électronique dans la machine permet d'éviter que deux modules soient mis en marche en même temps. Si votre machine est équipée d'un limiteur de puissance, le module café se trouve en position préférentiel. Cela veut dire que, dès que le module café est mis en marche, les autres modules seront (partiellement) arrêtés par le système de contrôle. Consultez votre revendeur Bravilor Bonamat®, pour les différentes options.

## 1.2 Renseignements techniques

### 1.2.1 Poids et mesures

- Voir le dépliant.

### 1.2.2 Système électrique

- Voir la plaque signalétique pour les valeurs correctes.

### 1.2.3 Circuit d'eau

- Dureté de l'eau : min. 9 °Th
- Pression d'eau min. (alimentation) : 50 kPa (0,5 bar)
- Pression d'eau max. (alimentation) : 1000 kPa (10 bar)
- Débit : 5,5 l/min.
- Conductivité : 100 µ Siemens/cm

### 1.2.4 Produits recommandés pour le nettoyage et le détartrage

Produit de nettoyage : CLEANER

Produit de détartrage : RENEGITE

- Voir §1.7.1 pour commander les produits de nettoyage et de détartrage.



## CONSEIL

- Voir le dépliant pour les modèles **standard**.

## 1.3 Installation

### 1.3.1 Déballage de la machine

1. Vérifiez que la machine est complète.
  2. Veuillez prendre contact avec votre revendeur s'il manque des composants ou s'ils sont endommagés.
- Le contenu de l'emballage, dans le cas d'un modèle **standard**, se compose de:

	RLX														
	3	4	5	31	41	55	75	76	85	13 1	23 1	24 1	57 5	58 5	
un égouttoir	1x	1x	1x	1x	1x	2x	2x	1x	2x	1x	1x	1x	3x	3x	
un tuyau d'alimentation d'eau	1x	1x	1x	1x	1x	1x	1x	1x	1x	1x	1x	1x	1x	1x	
une pochette de filtres en papier	-	-	1x	1x	1x	1x	1x	1x	1x	1x	1x	1x	1x	1x	
un porte filtre	-	-	1x	1x	1x	1x	1x	1x	1x	1x	1x	1x	1x	1x	
une cruche en verre	-	-	-	1x	1x	-	-	-	-	2x	2x	2x	-	-	
un pichet doseur	-	-	1x	1x	1x	1x	1x	1x	1x	1x	1x	1x	1x	1x	
un sachet de nettoyant (Cleaner)	-	-	1x	1x	1x	1x	1x	1x	1x	1x	1x	1x	1x	1x	
un sachet de détartrant (Renegite)	1x	-	1x	1x	1x	1x	1x	1x	1x	1x	1x	1x	1x	1x	
un entonnoir	-	-	1x	1x	1x	1x	1x	1x	1x	1x	1x	1x	1x	1x	
un goupillon pour verre niveau	-	-	1x	-	-	1x	1x	-	1x	-	-	-	1x	1x	

Tableau 2 Contenu des emballages

### 1.3.2 Première utilisation



#### AVERTISSEMENTS

- △ Le voltage du réseau électrique change d'un pays à l'autre. Vous trouverez les détails concernant le voltage et la fréquence d'alimentation requis sur la plaque signalétique.
1. Lisez d'abord le chapitre "Instructions de sécurité et avertissements de danger".
  2. Posez la machine sur une base stable et lisse, qui ne doit pas être inclinée de plus de 5°.
  3. Posez la machine près d'un robinet d'eau, et si possible près d'une évacuation ainsi qu'une prise de courant murale raccordée à la terre.
    - Laissez un espace suffisant à l'arrière et à l'avant de la machine pour les travaux de réparation et d'entretien.
  4. Raccorder la machine au robinet d'eau manuel à l'aide du tuyau d'alimentation fourni.
    - Vérifiez que l'alimentation en eau peut facilement être coupé à l'aide du robinet.
  5. Ouvrez le robinet.
  6. Branchez la machine sur l'alimentation électrique.
  7. Le(s) module(s) doit/doivent être nettoyé(s).
    - Pour les instructions, lisez le paragraphe en question dans le guide mode d'emploi spécifiques.

## 1.4 Utilisation

### 1.4.1 Commandes

Le panneau de commande est fourni avec 2 boutons de programmation, 1 ou 2 signalisations lumineuses ainsi qu'un afficheur.

Les différents symboles, valeurs, et messages indiqués par l'afficheur sont expliqués dans les modes d'emplois des modules en question.



## 1.5 Entretien

### 1.5.1 Entretien journalier

1. Enlevez l'égouttoir complet.
2. Nettoyez tous les composants à l'eau chaude avec un liquide de vaisselle normal.

### 1.5.2 Entretien hebdomadaire

1. Enlevez l'égouttoir.
2. Faites dissoudre 1 sachet de **Cleaner** dans 3 l d'eau (min. 80°C).
3. Déposez les pièces à nettoyer dans cette solution.
4. Laissez agir (max. 30 min.).
5. Rincez les pièces minutieusement à l'eau chaude.
6. Nettoyez l'extérieur de la machine avec un linge humide. Pour le nettoyage, n'utilisez **jamais** de produits de nettoyage abrasifs ou corrosifs.
7. Essuyez ensuite la machine à l'aide d'un chiffon doux.
8. Placez l'égouttoir de nouveau devant la machine.

### 1.5.3 Détartrage

#### 1.5.3.1 Signalisation de détartrage

Pendant l'utilisation, des dépôts de calcaire se forment dans la machine. Les modules pour le café, l'eau chaude et la vapeur sont munis d'un voyant d'entartrage ▽, vous indiquant à quel moment la machine doit être impérativement détartrée.

#### 1.5.3.2 Réglage de la signalisation de détartrage

*Seulement pour Modules 3, 4, 7 et 8.*

Il est possible de programmer le nombre de litres d'eau, passé dans le module, au bout desquels il doit être détartré.

- Tenez compte de la dureté de l'eau (tableau 3).

Position	Nombres de litres	Dureté de l'eau		
		°DH	°TH	Description
OFF	Pas de symbole	–	–	–
1	± 250 litres	18–30	32–55	calcaire
2	± 500 litres	12–18	22–32	assez calcaire
3	± 1000 litres	8–12	15–22	normale
4	± 1500 litres	4–8	7–15	peu calcaire
5	± 2000 litres	0–4	0–7	très peu calcaire
4,0	°DH = 0,714 mmol/litre			
5,6	°DH = 1,000 mmol/litre			
8,0	°DH = 1,429 mmol/litre			
12,0	°DH = 2,143 mmol/litre			
18,0	°DH = 3,214 mmol/litre			
30,0	°DH = 5,357 mmol/litre			
10,0	°TH = 1,000 mmol/litre			

Tableau 3 Réglage selon la dureté d'eau

### CONSEIL

- Consultez votre service local de distribution d'eau pour savoir la dureté de l'eau qu'il vous fournit.



## 1.6 Solution aux pannes possibles

En cas de panne, consultez en premier lieu le tableau des pannes possibles. Si vous ne pouvez pas résoudre le problème, prenez contact avec votre revendeur Bravilor Bonamat®.

### 1.6.1 Analyse générale de la panne

Symptôme:	Cause possible:	Solution:
1. La machine ne fonctionne pas et l'afficheur est éteint.	La machine n'est pas branchée à une alimentation électrique.	Branchez la machine à une alimentation.
	La protection de l'alimentation électrique de la machine est déclenchée.	Réenclenchez la protection électrique.
	L'alimentation électrique de la machine est surchargée.	Branchez la machine sur une autre alimentation.

## 1.7 Accessoires et consommables recommandés

### 1.7.1 Consommables recommandés

Description	Référence	Quantité
Filtre papier	7.150.101.101	1000 pièces
Solution de détartrage (RENEGITE)	7.190.101.103	48 x 50 gr.
	7.190.103.103	40 x 100 gr.
Produit de nettoyage (CLEANER)	7.191.101.212	60 x 15 gr.

### 1.7.2 Accessoires

Filtre à thé : 7.091.102.101

# Bravilor Bonamat<sup>®</sup>

RLX

ALLGEMEIN

700.403.329  
Bravilor Bonamat<sup>®</sup>  
© 12-2001

Bravilor Bonamat  
Pascalstraat 20  
1704 RD Heerhugowaard  
Niederlande

Alle Rechte vorbehalten.

Kein Teil dieser Gebrauchsanleitung darf ohne vorherige schriftliche Einwilligung des Herstellers durch Nachdruck, Fotokopie, Mikrofilm oder auf andere Weise vervielfältigt und/oder veröffentlicht werden. Dies gilt auch für die dazugehörigen Zeichnungen bzw. Pläne.

Die in dieser Gebrauchsanleitung enthaltenen Informationen stützen sich auf allgemeine Daten im Zusammenhang mit den uns zum Zeitpunkt des Erscheinens bekannten Konstruktionen, Materialeigenschaften und Arbeitsmethoden, so daß wir uns Änderungen vorbehalten. Aus diesem Grunde gelten die hier erteilten Anweisungen nur als Richtschnur bei Installation, Betrieb und Wartung, des auf dem Umschlag dieser Gebrauchsanleitung genannten Geräts.

Dieses Dokument gilt für die Standardausführung des Geräts. Der Hersteller haftet deshalb nicht für eventuellen Schaden aufgrund von solchen Spezifikationen des an Sie gelieferten Geräts, die von der Standardausführung abweichen.

Dieses Dokument wurde zwar sorgfältig zusammengestellt, dennoch haftet der Hersteller nicht für eventuelle Fehler in dieser Gebrauchsanweisung oder für daraus resultierende Folgen.

**NEHMEN SIE SICH VOR INBETRIEBNAHME DES GERÄTS ZEIT, DIESE GEBRAUCHSANLEITUNG SORGFÄLTIG ZU LESEN.**

**LASSEN SIE BEIM LESEN DAS AUSFALTBLATT AUSGEKLAPPT.**

**BEWAHREN SIE DIESES DOKUMENT IMMER IN DER NÄHE DES GERÄTS AUF.**

## EIN WORT VORAB

### Verwendung dieser Gebrauchsanweisung

Diese Gebrauchsanleitung soll es entsprechend befugten Benutzern erlauben, das Gerät sicher zu installieren, zu benutzen und zu warten.

Die Gebrauchsanweisung besteht aus einem allgemeinen Teil und jeweils einem speziellen Teil für jedes Modul, aus dem Ihr Gerät zusammengestellt ist.

In dieser Gebrauchsanleitung werden die Begriffe "links", "rechts", "vorne" und "hinten" dazu verwendet, auf einen bestimmten Teil des Geräts hinzuweisen. Hierbei wird immer vom Standort des Benutzers ausgegangen, der an der Bedienungsseite steht.

### Piktogramme und Symbole

In dieser Gebrauchsanleitung kommen folgende Piktogramme und Symbole vor:



#### **TIP**

- Tip, Vorschlag oder Ratschlag, wie sich bestimmte Aufgaben einfacher oder praktischer ausführen lassen.



#### **VORSICHT!**

- Verfahrensweisen, die, wenn sie nicht mit der notwendigen Vorsicht durchgeführt werden, zu Schäden am Gerät, der Umgebung oder der Umwelt führen können.



#### **WARNUNG**

- △ Verfahrensweisen, die, wenn sie nicht mit der notwendigen Vorsicht durchgeführt werden, Schäden am Gerät oder Verletzungen zur Folge haben können.



#### **WARNUNG**

- △ Gefahr elektrischer Spannung.



#### **WARNUNG**

- △ Verbrennungsgefahr.

### Informationsmaterial

Das folgende Informationsmaterial steht zur Verfügung:

- Spezielle Gebrauchsanweisung für Kaffee- und Wide-Body-Modul : 700.403.275
- Spezielle Gebrauchsanweisung für das Heißwassermodul : 700.703.276
- Spezielle Gebrauchsanweisung für das Heißwasser/Dampfmodul : 700.703.277
- RLX Wartungshandbuch : 700.703.Pxx

### Dokumentencode

Dokumentencodes bestehen aus zwei Feldern:

- Feld 1: Dokumentennummer (eventuell mit Revisionsnummer)
- Feld 2: Revisionsdatum

## Service und technische Unterstützung

Wenden Sie sich im Zusammenhang mit Informationen über spezielle Einstellungen bzw. Wartungs- oder Reparaturarbeiten, die über den Rahmen dieser Gebrauchsanleitung hinausgehen, bitte an Ihren Händler. Er wird Ihnen jederzeit gerne helfen. Sorgen Sie dafür, daß Sie folgende Angaben zur Hand haben:

- Modellcode
- Typennummer
- Seriennummer

Diese Daten finden Sie auf dem Typenschild. Übertragen Sie die Daten vom Typenschild in die dazu vorgesehenen Felder (Abb.1).

## Garantiebestimmungen

Für dieses Gerät gelten die Garantiebestimmungen, die Teil der "Allgemeinen Geschäftsbedingungen" sind.

## Kennzeichnung des Geräts

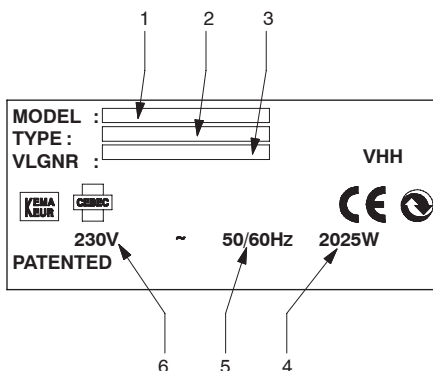


Abb. 1 Typenschild

1. Modellcode
2. Typennummer
3. Seriennummer
4. Leistung
5. Frequenz
6. Speisespannung

# Inhaltsverzeichnis

<b>Ein Wort vorab</b> .....	<b>I</b>
<b>Verwendung dieser Gebrauchsanweisung</b> .....	<b>I</b>
Piktogramme und Symbole .....	I
Verwandtes Informationsmaterial .....	I
Dokumentencode .....	I
Service und technische Unterstützung .....	II
Garantiebestimmungen .....	II
<b>Kennzeichnung des Geräts</b> .....	<b>II</b>
<b>Sicherheitsvorschriften und Warnungen vor Gefahren</b> .....	<b>V</b>
Allgemeines .....	V
Gebrauchsanweisung .....	V
Piktogramme und Anweisungen auf dem Gerät (sofern vorhanden) .....	V
Benutzer .....	V
Sachgemäße Verwendung .....	V
Technische Spezifikationen .....	V
Änderungen .....	V
Aufbau .....	VI
Verwendung .....	VI
Wartung und Störungsbeseitigung .....	VI
Getroffene Sicherheitsvorkehrungen .....	VII
<b>Geräte und Umwelt</b> .....	<b>VII</b>
Verpackungsmaterial .....	VII
Entsorgen des Geräts .....	VII
<b>1. Allgemeines</b> .....	<b>1</b>
<b>1.1 Das Gerät</b> .....	<b>1</b>
1.1.1 Allgemeine Beschreibung .....	1
1.1.2 Die Module .....	1
1.1.3 Vorzugsschaltung .....	1
<b>1.2 Technische Daten</b> .....	<b>1</b>
1.2.1 Maße und Gewichte .....	1
1.2.2 Elektrisches System .....	1
1.2.3 Wassersystem .....	1
1.2.4 Empfohlene Reinigungsmittel und Entkalker .....	1
<b>1.3 Aufbau</b> .....	<b>2</b>
1.3.1 Auspacken .....	2
1.3.2 Erste Inbetriebnahme .....	2
<b>1.4 Verwendung</b> .....	<b>2</b>
1.4.1 Steuerpulte .....	2
<b>1.5 Wartung</b> .....	<b>3</b>
1.5.1 Täglich .....	3
1.5.2 Wöchentlich .....	3
1.5.3 Entkalken .....	3
1.5.3.1 Entkalkungsmeldung .....	3
1.5.3.2 Einstellen der Entkalkungsanzeige .....	3
<b>1.6 Beheben von Störungen</b> .....	<b>4</b>
1.6.1 Allgemeine Störungsanalyse .....	4
<b>1.7 Verbrauchsgüter und Zubehör</b> .....	<b>4</b>
1.7.1 Empfohlene Verbrauchsgüter .....	4
1.7.2 Zubehör .....	4

## **Sicherheitsvorschriften und Warnungen vor Gefahren**

### **Allgemeines**

Der Hersteller übernimmt keinerlei Haftung für Schäden oder Verletzungen infolge der Nichtbeachtung oder nicht strengen Einhaltung der Sicherheitsvorschriften und Sicherheitshinweise in dieser Gebrauchsanleitung bzw. infolge von Unachtsamkeit bei der Installation, der Benutzung oder Wartung des auf dem Umschlag dieser Gebrauchsanleitung genannten Module und des beiliegenden Zubehörs.

Je nach den spezifischen Betriebsbedingungen oder dem verwendeten Zubehör können ergänzende Sicherheitsanweisungen notwendig sein. Wenden Sie sich bitte unmittelbar an Ihren Händler, falls Sie beim Benutzen des Geräts eine mögliche Gefahrenquelle feststellen.

**Der Benutzer dieses Geräts ist jederzeit umfassend für die Einhaltung der örtlichen Sicherheitsvorschriften und –richtlinien verantwortlich.**

### **Gebrauchsanweisung**

- Jeder, der an oder mit dem Gerät arbeitet, muß den Inhalt dieses Dokuments kennen und die darin enthaltenen Anweisungen genau einhalten. Die Firmenleitung muß die Mitarbeiter anhand dieser Gebrauchsanleitung unterrichten und alle Vorschriften und Anweisungen beachten.
- Ändern Sie keinesfalls die Reihenfolge der durchzuführenden Handlungen ab.
- Bewahren Sie dieses Dokument immer in der Nähe des Geräts auf.

### **Piktogramme und Anweisungen auf dem Gerät (sofern vorhanden)**

- Piktogramme, Warnhinweise und Anweisungen auf dem Gerät sind Teil der getroffenen Sicherheitsvorkehrungen. Sie dürfen nicht verdeckt oder entfernt werden. Außerdem müssen sie während der gesamten Lebensdauer des Geräts vorhanden und lesbar sein. Ersetzen Sie unlesbare oder beschädigte Piktogramme, Warnhinweise und Anweisungen unverzüglich oder bessern Sie sie unverzüglich aus.

### **Benutzer**

- Die Verwendung des Geräts ist ausschließlich entsprechend geschulten und befugten Benutzern vorbehalten.

### **Sachgemäße Verwendung <sup>1</sup>**

Das Gerät wurde ausschließlich für den Ausschank von Kaffee, heißem Wasser bzw. Dampf zum Erhitzen von Getränken entwickelt. Jede andere oder weitergehende Verwendung gilt als nicht sachgemäße Verwendung. Für daraus resultierende Schäden oder Verletzungen haftet der Hersteller nicht. Das Gerät entspricht den geltenden Normen und Richtlinien. Die Verwendung des Geräts ist ausschließlich in technisch perfektem Zustand für den obenstehenden sachgemäßen Verwendungszweck gestattet.

### **Technische Spezifikationen**

Die in dieser Gebrauchsanleitung genannten Spezifikationen dürfen nicht geändert werden.

### **Änderungen**

Änderungen des Geräts oder von Teilen des Geräts sind nicht zulässig.

1. Unter "sachgemäßer Verwendung", wie sie in der EN 292–1 festgelegt ist, versteht man die Verwendung, für die das technische Produkt laut Angabe des Herstellers – einschließlich seiner Anweisungen in der Verkaufsbroschüre – geeignet ist. Im Zweifelsfall ist dies die Verwendung, die sich aus Konstruktion, Ausführung und Funktion des Produkts als üblich ergibt. Zur sachgemäßen Verwendung gehört auch die Beachtung der Anweisungen in der Gebrauchsanweisung.



---

## Aufbau

- Die höchstzulässige Umgebungstemperatur, bei der die einwandfreie Funktion gewährleistet werden kann ist 40°C.
- Stellen Sie das Gerät niemals in Räumen auf, in denen die Temperatur unter 0°C sinken kann.
- Befördern Sie das Gerät aufrecht.
- Installieren Sie die Maschine nie in Räumen, in denen mit Wasser gespritzt oder gesprüht wird.
- Stellen Sie das Gerät niemals vor Ein-, Aus- und Durchgängen auf, die für die Hilfsdienste gedacht sind.
- Stellen Sie das Gerät auf einen flachen, ausreichend festen Untergrund in der Nähe eines Wasseranschlusses, eines Wasserabflusses und eines elektrischen Anschlusses mit Erdung.
- Schließen Sie das Gerät so an das Stromnetz an, daß der Anschluß leicht unterbrochen werden kann.
- Ist das Gerät fest mit dem Stromkreis verbunden, so wird empfohlen die Masse an den Erdungsstromkreis (max. 30 mA) anzulegen.
- Lassen Sie auf der Vorder- und Rückseite des Geräts genügend Platz für Wartungs- und Reparaturarbeiten.
- Das Gerät muß immer so an das Stromnetz angeschlossen werden, daß der Anschluß aller Phasen und der Null leicht unterbrochen werden kann. Der Mindestabstand zwischen den Kontakten in unterbrochenem Zustand muß mindestens 3 mm betragen.
- Schließen Sie das Gerät mit einem leicht zugänglichen, handbetätigten Hahn an das Wasserleitungsnetz an, damit die Wasserzufuhr leicht unterbrochen werden kann.
- Beachten Sie bei der Installation grundsätzlich die jeweils geltenden Vorschriften und Normen.

## Verwendung

- Inspizieren Sie das Gerät vor der Verwendung und kontrollieren Sie es auf Schäden.
- Schützen Sie das Gerät vor Wasser und Feuchtigkeit. Sprühen oder spritzen Sie das Gerät nicht naß und tauchen Sie es nie in Wasser ein.
- Halten Sie die Bedienelemente sauber von Schmutz und Fett.
- Achten Sie darauf, daß manche Teile des Geräts beim Gebrauch sehr heiß werden können.
- Trennen Sie den Anschluß zum Elektrizitätsnetz und schließen Sie die Wasserzufuhr, wenn das Gerät längere Zeit nicht benutzt wird. Reinigen Sie das Gerät gemäß den Anweisungen. Lassen Sie das Wasser ab.
- Wurde das Gerät Temperaturen unter dem Gefrierpunkt ausgesetzt, so ist es vom Stromkreis und der Wasserzufuhr zu trennen. Anschließend ist abzuwarten, bis das Gerät wieder normale Temperatur angenommen hat.

## Wartung und Störungsbeseitigung

- Reparaturen und nicht in dieser Gebrauchsanleitung beschriebene Wartungsarbeiten sind ausschließlich Kundendiensttechnikern vorbehalten.
- Falls der Netzanschluß sichtbar beschädigt ist, muß dieser vom qualifizierten Kundendiensttechniker in stand gesetzt werden.
- Halten Sie die angegebenen Wartungsintervalle ein. Ein Rückstand bei den Wartungsarbeiten kann zu hohen Reparaturkosten führen, und Garantieansprüche können nichtig werden.
- Führen Sie nie Wartungsarbeiten an einem Gerät aus, das nicht gegen unbeabsichtigtes Inbetriebsetzen gesichert wurde. Trennen Sie in solchen Fällen den Anschluß zum Elektrizitätsnetz.
- Entfernen Sie sich während jeglicher Wartungsarbeiten nicht vom Gerät.
- Verwenden Sie zum Reinigen des Geräts ausschließlich Reinigungsmittel und Entkalker, wie sie vom Hersteller empfohlen werden.
- Tragen Sie immer geeigneten Gesichtsschutz und Schutzhandschuhe, wenn Sie mit dem Reinigungsmittel und/oder Entkalker arbeiten. Waschen Sie nach Verwendung solcher Mittel Ihre Hände.
- Verhindern Sie die Beschädigung des Geräts durch Verschütten von Entkalkerlösung. Entfernen Sie Spritzer so schnell wie möglich unter Beachtung der bereits genannten Sicherheitsanweisungen.

---

## Getroffene Sicherheitsvorkehrungen

Das Gerät verfügt standardmäßig über folgende Sicherheitsvorkehrungen:

- Mit Hilfe des EIN-/AUS-Schalters wird das Gerät ein- und ausgeschaltet. Nach dem Ausschalten kann das Gerät aber immer noch Spannung führen. Damit das Gerät keine Spannung mehr führt, ziehen Sie den Netzstecker aus der Steckdose.
- Tropfschale, um hinderliches Verschütten von Getränken zu verhindern.
- Überströmungsschutzvorrichtung, die verhindert, daß das Gerät mehr Wasser aufnimmt, als zulässig.
- Thermische Schutzvorrichtung, die den Strom unterbricht, wenn die Wassertemperatur im Boiler zu hoch wird.
- Überdruckschutz, nur bei *Modul 4 und 8*, verhindert, daß der Druck im Boiler unzulässig hoch wird.

## Geräte und Umwelt

### Verpackungsmaterial

Das Verpackungsmaterial, das für den Transport und den Schutz des Geräts dient, besteht überwiegend aus folgendem Material:

- (Well-)Pappe
- Polystyren-Elementen

Im allgemeinen können Sie das Verpackungsmaterial nach dem Aufbau des Geräts an Ihren Händler zurückgeben. Sollte das nicht möglich sein, informieren Sie sich beim Reinigungsdienst Ihrer Stadt, wo Sie das Material abgeben können.

### Entsorgung des Geräts

Geräte, die Sie entsorgen wollen, nimmt Ihr Händler häufig nach Rücksprache zurück. Sollte das nicht möglich sein, informieren Sie sich auch in diesem Fall bei der Stadtverwaltung über die Möglichkeiten der Wiederverwertung oder der umweltfreundlichen Verarbeitung der Materialien. Alle Kunststoffteile werden zu diesem Zweck eindeutig kodiert. Die in dem Gerät verwendete Leiterplatte und die daran angeschlossenen Bauteile gehören zum elektrischen und elektronischen Müll.

## 1. ALLGEMEINES

### 1.1 Das Gerät

#### 1.1.1 Allgemeine Beschreibung

Geräte der RLX-Serie wurden ausschließlich für die Zubereitung von Kaffee, heißem Wasser bzw. Dampf zum Erhitzen von Getränken entwickelt. Ein Gerät besteht aus einem oder mehreren Modulen.

Diese Gebrauchsanleitung behandelt die allgemeinen Daten, die für alle Module gelten. Lesen Sie auch die Gebrauchsanweisung für die speziellen Module.

#### 1.1.2 Die Module

Die Zahlen in der Modellbezeichnung besagen, aus welchen Modulen Ihr Gerät aufgebaut ist.

Tabelle 1 enthält einen Überblick über die verschiedenen **Standardmodule**.

Modul	Art	Hinweis
1	Kaffee	mit Glaskanne
2	Wide Body	mit Wärmeplatte
3	heißes Wasser	niedriges Modell
4	Heißwasser/Dampf	niedriges Modell
5	Kaffee	mit Behälter
6	Kaffee	mit Airpot
7	heißes Wasser	hohes Modell
8	Heißwasser/Dampf	hohes Modell

Tabelle 1 Die verschiedenen Module

#### Beispiel:

Der RLX 231 besteht aus:

- links einem Wide-Body-Modul (2),
- in der Mitte einem niedrigen Heißwassermodul (3) und
- rechts einem Kaffeemodul mit Glaskanne (1).



#### TIP

- Standardmodelle siehe Ausfaltblatt.

#### 1.1.3 Vorzugsschaltung

Je nach Konfiguration kann Ihr Gerät mit einer Vorzugsschaltung ausgestattet sein. Eine elektronische Schaltung im Gerät sorgt dafür, daß nicht zwei Module mit hoher Leistungsaufnahme gleichzeitig eingeschaltet sein können. Falls Ihr Gerät über eine Vorzugsschaltung verfügt, ist die Vorzugsstellung auf das Kaffeemodul eingestellt. Dies bedeutet, daß die Steuerung die anderen Module (teilweise) ausschaltet, wenn das Kaffeemodul eingeschaltet wird. Mehr über die verschiedenen Möglichkeiten erfahren Sie bei Ihrem Bravilor-Bonamat®-Händler oder bei einem der Kundendienstbüros.

### 1.2 Technische Daten

#### 1.2.1 Maße und Gewichte

- Siehe hierzu das Ausfaltblatt.

#### 1.2.2 Elektrisches System

- Die korrekten Werte entnehmen Sie dem Typenschild.

#### 1.2.3 Wassersystem

- Wasserhärte : mind. 5 °dH
- Min. Wasserdruck (Zufuhr) : 50 kPa (0,5 bar)
- Max. Wasserdruck (Zufuhr) : 1000 kPa (10 bar)
- Durchfluß : 5,5 l/min
- Konduktivität : 100 µ Siemens/cm

#### 1.2.4 Empfohlene Reinigungsmittel und Entkalker

Reinigungsmittel : CLEANER

Entkalker : RENEGITE

- Zum Bestellen von Reinigungsmittel und Entkalker siehe §1.7.1.

## 1.3 Aufbau

### 1.3.1 Auspacken

1. Kontrollieren Sie, ob das Gerät vollständig ist.
  2. Falls Teile fehlen oder beschädigt sind, wenden Sie sich bitte an Ihren Händler.
- Der Inhalt der Verpackung besteht bei den **Standardmodellen** aus:

	RLX														
	3	4	5	31	41	55	75	76	85	13 1	23 1	24 1	57 5	58 5	
Tropfschale	1x	1x	1x	1x	1x	2x	2x	1x	2x	1x	1x	1x	3x	3x	
Wasseranschlußschlauch	1x	1x	1x	1x	1x	1x	1x	1x	1x	1x	1x	1x	1x	1x	
Filterpapier	-	-	1x	1x	1x	1x	1x	1x	1x	1x	1x	1x	1x	1x	
Filterpfanne (mit Feder)	-	-	1x	1x	1x	1x	1x	1x	1x	1x	1x	1x	1x	1x	
Glaskanne	-	-	-	1x	1x	-	-	-	-	2x	2x	2x	-	-	
Kaffeelot	-	-	1x	1x	1x	1x	1x	1x	1x	1x	1x	1x	1x	1x	
Cleaner	-	-	1x	1x	1x	1x	1x	1x	1x	1x	1x	1x	1x	1x	
Renegite	1x	-	1x	1x	1x	1x	1x	1x	1x	1x	1x	1x	1x	1x	
Trichter (zum Entkalken)	-	-	1x	1x	1x	1x	1x	1x	1x	1x	1x	1x	1x	1x	
Schauglasbürste	-	-	1x	-	-	1x	1x	-	1x	-	-	-	1x	1x	

Tabelle 2 Inhalt der Verpackung

### 1.3.2 Erste Inbetriebnahme

- Lesen Sie hierzu den betreffenden Abschnitt der Gebrauchsanweisung für das spezielle Modul.



#### **WARNUNG**

△ Die Speisespannungen können je Land unterschiedlich sein. Die Angaben in Zusammenhang mit der Speisespannung und der Frequenz finden Sie auf dem Typenschild.

1. Lesen Sie zunächst das Kapitel "Sicherheitsvorschriften und Warnungen vor Gefahren".
2. Stellen Sie das Gerät auf einen festen, flachen Untergrund (max. 5° Abweichung von der Senkrechten).
3. Stellen Sie das Gerät in der Nähe eines Wasseranschlusses, eventuell eines Wasserabflusses und einer Steckdose mit Schutzkontakt auf.
  - Lassen Sie an der Vorder- und Rückseite des Geräts genügend Platz für Wartungs- und Reparaturarbeiten.
4. Schließen Sie das Gerät mit dem mitgelieferten Wasserschlauch an den Handhahn an.
  - Sorgen Sie dafür, daß die Wasserzufuhr mit Hilfe des Hahns einfach angeschlossen werden kann.
5. Öffnen Sie den Hahn.
6. Stecken Sie den Stecker in die Steckdose.
7. Die Module müssen durchgespült werden.

## 1.4 Verwendung

### 1.4.1 Bedienfelder

Auf dem Bedienfeld befinden sich 2 Drucktasten, 1 oder 2 Kontrolllampen und ein Display.

## 1.5 Wartung

### 1.5.1 Täglich

1. Entfernen Sie die gesamte Tropfschale.
2. Waschen Sie alle Teile in warmem Wasser ab, dem Sie ein normales Spülmittel hinzugefügt haben.

### 1.5.2 Wöchentlich

1. Entfernen Sie die Tropfschale.
2. Lösen Sie 1 Beutel Cleaner in 3 l Wasser auf (mindestens 80°C).
3. Legen Sie die Teile, die gereinigt werden sollen, in diese Lösung.
4. Lassen Sie alles einweichen (höchstens 30 Min.).
5. Spülen Sie die Teile gründlich mit warmem Wasser ab, bis sie sauber sind.
6. Wischen Sie das Äußere des Geräts mit einem feuchten Lappen ab. Verwenden Sie dabei **niemals** ein scheuerndes oder ätzendes Reinigungsmittel.
7. Wischen Sie das Gerät mit einem weichen Lappen trocken.
8. Stellen Sie die Tropfschale wieder vor das Gerät.

Auf dem Display erscheinen verschiedene Symbole, Werte und Meldungen, die in den Gebrauchsanweisungen der speziellen Module erläutert werden.

### 1.5.3 Entkalken

#### 1.5.3.1 Entkalkungsmeldung

Im Gerät lagert sich während des Betriebs Kalk ab. Die Kaffee-, Heißwasser- und Dampfmodule verfügen über eine Entkalkungsanzeige ▽, die blinkt, wenn das Gerät entkalkt werden muß.

#### 1.5.3.2 Einstellen der Entkalkungsanzeige

*Gilt nur für die Module 3, 4, 7 und 8.*

Die Anzahl Liter Wasser, die durch das Modul fließen, bevor die Entkalkungsanzeige aktiviert wird, kann eingestellt werden.

- Berücksichtigen Sie dabei die Wasserhärte (siehe Tabelle 3).

Einstellung	Anzeige nach Anzahl Litern	Wasserhärte		
		°DH	°TH	Beschreibung
OFF	Keine Anzeige	–	–	–
1	± 250 Liter	18–30	32–55	hart
2	± 500 Liter	12–18	22–32	relativ hart
3	± 1000 Liter	8–12	15–22	durchschnittlich
4	± 1500 Liter	4–8	7–15	weich
5	± 2000 Liter	0–4	0–7	sehr weich
4,0	°DH = 0,714 mmol/Liter			
5,6	°DH = 1,000 mmol/Liter			
8,0	°DH = 1,429 mmol/Liter			
12,0	°DH = 2,143 mmol/Liter			
18,0	°DH = 3,214 mmol/Liter			
30,0	°DH = 5,357 mmol/Liter			
10,0	°TH = 1,000 mmol/Liter			

*Tabelle 3 Einstellungen der Wasserhärte*

### TIP

- Fragen Sie bei Ihren Wasserwerken nach der Härte des gelieferten Wassers.



## 1.6 Beseitigen von Störungen

Schauen Sie bei Störungen zunächst in den Störungstabellen nach. Können Sie das Problem nicht lösen, dann wenden Sie sich an Ihren Bravilor–Bonamat®–Händler, Ihren Kundendienstmonteur oder eines der Kundendienstbüros.

### 1.6.1 Allgemeine Störungsanalyse

Symptom:	Mögliche Ursache	Maßnahme
1. Das Gerät funktioniert nicht und auf dem Display wird nichts angezeigt.	Der Stecker steckt nicht in der Steckdose.	Stecken Sie den Stecker in die Steckdose.
	Die externe Sicherung ist herausgesprungen.	Stellen Sie die externe Sicherung zurück oder wechseln Sie sie aus.
	Die Gruppe ist überlastet.	Schließen Sie das Gerät an eine andere Gruppe an.

## 1.7 Verbrauchsgüter und Zubehör

### 1.7.1 Empfohlene Verbrauchsgüter

Bezeichnung	Bestellnummer	Stückzahl
Filterpapier	7.150.101.101	1000 Stück
Entkalker (RENEGITE)	7.190.101.103	48 x 50 gr.
	7.190.103.103	40 x 100 gr.
	7.190.102.101	6 x 1 kg.
Reinigungsmittel (CLEANER)	7.191.101.212	60 x 15 gr.
	7.191.102.201	10 x 1 kg.

### 1.7.2 Zubehör

Teefilterpfanne : 7.091.102.101

# Bravilor Bonamat<sup>®</sup>

RLX

ALGEMEEN

NL

700.403.329  
Bravilor Bonamat<sup>®</sup>  
© 12–2001

Bravilor Bonamat  
Pascalstraat 20  
1704 RD Heerhugowaard  
Nederland

Alle rechten voorbehouden.

Niets uit dit document mag worden vervoelvoudigd en/of openbaar gemaakt door middel van druk, fotokopie, microfilm of op welke andere wijze dan ook, zonder voorafgaande schriftelijke toestemming van de fabrikant. Dit geldt ook voor de bijbehorende tekeningen en/of schema's.

De in dit document verstrekte informatie is gebaseerd op algemene gegevens aangaande de ons ten tijde van verschijnen bekende constructies, materiaaleigenschappen en werkmethoden, zodat wijzigingen worden voorbehouden. Om deze reden dienen de gegeven instructies slechts als richtlijn voor het installeren, gebruiken en onderhouden van het op de omslag van dit document vermelde apparaat.

Dit document is geldig voor het apparaat in standaard uitvoering. De fabrikant kan derhalve niet aansprakelijk worden gesteld voor eventuele schade voortvloeiend uit de van de standaard uitvoering afwijkende specificaties van het aan u geleverde apparaat.

Dit document is met alle mogelijke zorg samengesteld, maar de fabrikant kan niet aansprakelijk worden gesteld voor eventuele fouten in dit document of voor de gevolgen daarvan.

**NEEM DE TIJD OM DIT DOCUMENT ZORGVULDIG TE LEZEN ALVORENS HET APPARAAT TE GEBRUIKEN.**

**BEWAAR DIT DOCUMENT STEEDS IN DE NABIJHEID VAN HET APPARAAT.**



## WOORD VOORAF

### Gebruik van dit document

Dit document is bedoeld als gebruiksaanwijzing waarmee daartoe bevoegde gebruikers het apparaat op veilige wijze kunnen installeren, gebruiken en onderhouden.

**De gebruiksaanwijzing bestaat uit een algemeen deel en een specifiek deel per module waaruit uw apparaat is samengesteld.**

In dit document worden de woorden "links", "rechts", "voor" en "achter" gebruikt om een bepaald gedeelte van het apparaat aan te geven. Uitgangspunt hierbij is altijd de positie van de gebruiker, staande aan de bedieningszijde.

### Pictogrammen en symbolen

In dit **document** komen de volgende pictogrammen en symbolen voor:



#### **TIP**

- Tip, suggestie of advies om bepaalde taken gemakkelijker of handiger uit te voeren.



#### **VOORZICHTIG!**

- Procedures die –wanneer ze niet met de nodige voorzichtigheid worden uitgevoerd– schade aan het apparaat, de omgeving of het milieu tot gevolg kunnen hebben.



#### **WAARSCHUWING**

- △ Procedures die –wanneer ze niet met de nodige voorzichtigheid worden uitgevoerd– ernstige schade aan het apparaat of lichamelijk letsel tot gevolg kunnen hebben.



#### **WAARSCHUWING**

- △ Gevaar voor elektrische spanning.



#### **WAARSCHUWING**

- △ Gevaar voor verbranding.

### Verwante documenten

De volgende verwante documenten zijn beschikbaar:

- Specifieke gebruiksaanwijzing koffie en wide body module : 700.403.275
- Specifieke gebruiksaanwijzing heetwater module : 700.403.276
- Specifieke gebruiksaanwijzing heetwater/stoom module : 700.403.277
- RLX onderhoudshandboek : 700.703.Pxx

### Documentcode

Documentcodes zijn opgebouwd uit twee velden:

- veld 1: documentnummer (eventueel gevolgd door het revisienummer)
- veld 2: revisiedatum

## **Service en technische ondersteuning**

Voor informatie betreffende specifieke afstellingen, onderhouds- of reparatiewerkzaamheden die buiten het bestek van dit document vallen, gelieve contact op te nemen met uw dealer. Deze is altijd bereid u te helpen. Zorg ervoor dat u de volgende gegevens bij de hand heeft:

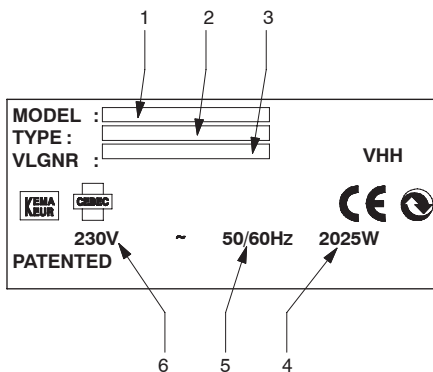
- modelcode
- typenummer
- volgnummer

Deze gegevens vindt u op het identificatieplaatje. Schrijf de gegevens van het identificatieplaatje over in de daarvoor bestemde velden (fig.1 ).

## **Garantie bepalingen**

De voor dit apparaat van toepassing zijnde garantie bepalingen maken deel uit van de leveringsvoorwaarden.

## **Identificatie van het apparaat**



*Fig. 1 Identificatieplaatje*

1. Modelcode
2. Typenummer
3. Volgnummer
4. Vermogen
5. Frequentie
6. Voedingsspanning

# Inhoudsopgave

<b>Woord vooraf</b> .....	<b>I</b>
<b>Gebruik van dit document</b> .....	<b>I</b>
Pictogrammen en symbolen .....	I
Verwante documenten .....	I
Documentcode .....	I
Service en technische ondersteuning .....	II
Garantiebepalingen .....	II
<b>Identificatie van het apparaat</b> .....	<b>II</b>
<b>Veiligheidsvoorschriften en waarschuwingen voor gevaren</b> .....	<b>IV</b>
Algemeen .....	IV
Gebruiksaanwijzing .....	IV
Pictogrammen en instructies op het apparaat (indien aanwezig) .....	IV
Gebruikers .....	IV
Gebruik volgens bestemming .....	IV
Technische specificaties .....	IV
Modificaties .....	IV
Installatie .....	V
Gebruik .....	V
Onderhoud en verhelpen van storingen .....	V
Getroffen veiligheidsvoorzieningen .....	VI
Verpakkingsmateriaal .....	VI
Afdanken van het apparaat .....	VI
<b>1. Algemeen</b> .....	<b>1</b>
<b>1.1 Het apparaat</b> .....	<b>1</b>
1.1.1 Algemene beschrijving .....	1
1.1.2 De modules .....	1
1.1.3 Voorkeurschakeling .....	1
<b>1.2 Technische gegevens</b> .....	<b>1</b>
1.2.1 Gewichten en afmetingen .....	1
1.2.2 Elektrisch systeem .....	1
1.2.3 Watersysteem .....	1
1.2.4 Aanbevolen reinigingsmiddel en ontkalker .....	1
<b>1.3 Installatie</b> .....	<b>2</b>
1.3.1 Uitpakken .....	2
1.3.2 Eerste ingebruikname .....	2
<b>1.4 Gebruik</b> .....	<b>2</b>
1.4.1 Bedieningsorganen .....	2
<b>1.5 Onderhoud</b> .....	<b>3</b>
1.5.1 Dagelijks .....	3
1.5.2 Wekelijks .....	3
1.5.3 Ontkalken .....	3
1.5.3.1 Ontkalkingsignalering .....	3
1.5.3.2 Instellen ontkalkingsignalering .....	3
<b>1.6 Verhelpen van storingen</b> .....	<b>4</b>
1.6.1 Storingsanalyse algemeen .....	4
<b>1.7 Verbruiksartikelen en accessoires</b> .....	<b>4</b>
1.7.1 Aanbevolen verbruiksartikelen .....	4
1.7.2 Accessoires .....	4

NL

## **Veiligheidsvoorschriften en waarschuwingen voor gevaren**

### **Algemeen**

De fabrikant aanvaardt geen enkele aansprakelijkheid voor schade of letsel veroorzaakt door het niet (strikt) naleven van de veiligheidsvoorschriften en –instructies in de bijgeleverde documenten, of door onachtzaamheid tijdens installatie, gebruik of onderhoud van de, op de omslagen, vermelde modules en de eventuele bijbehorende accessoires.

Afhankelijk van de specifieke werkomstandigheden of gebruikte accessoires kunnen aanvullende veiligheidsinstructies nodig zijn. Neem s.v.p. direct contact op met uw dealer indien u bij het gebruik van het apparaat een potentieel gevaar hebt geconstateerd.

**De gebruiker van het apparaat is te allen tijde volledig verantwoordelijk voor de naleving van de plaatselijk geldende veiligheidsvoorschriften en –richtlijnen.**

### **Gebruiksaanwijzing**

- Ieder die aan of met het apparaat werkt, dient van de inhoud van dit document op de hoogte zijn en de instructies daarin nauwgezet opvolgen. De bedrijfsleiding moet het personeel aan de hand van dit document onderrichten en alle voorschriften en aanwijzingen in acht nemen.
- Wijzig nooit de volgorde van de te verrichten handelingen.
- Bewaar dit document steeds in de nabijheid van het apparaat.

### **Pictogrammen en instructies op het apparaat (indien aanwezig)**

- Op het apparaat aangebrachte pictogrammen, waarschuwingen en instructies maken deel uit van de getroffen veiligheidsvoorzieningen. Ze mogen niet worden afgedekt of verwijderd en dienen gedurende de gehele levensduur van het apparaat aanwezig en leesbaar te zijn. Vervang of herstel onmiddellijk onleesbaar geworden of beschadigde pictogrammen, waarschuwingen en instructies.

### **Gebruikers**

- Gebruik van het apparaat is uitsluitend voorbehouden aan daartoe opgeleide en bevoegde gebruikers.

### **Gebruik volgens bestemming <sup>1</sup>**

Het apparaat is uitsluitend ontworpen voor de uitgifte van koffie, heet water en/of stoom voor het verwarmen van dranken. Elk ander of verdergaand gebruik geldt niet als conform de bestemming. Voor hieruit voortvloeiende schade of letsel aanvaardt de fabrikant geen enkele aansprakelijkheid. Het apparaat is in overeenstemming met de geldende normen en richtlijnen. Gebruik het apparaat uitsluitend in technisch perfecte conditie, conform de hierboven beschreven bestemming.

### **Technische specificaties**

De in dit document vermelde specificaties mogen niet worden gewijzigd.

### **Modificaties**

Modificatie van (onderdelen van) het apparaat is niet toegestaan.

1. Het "Gebruik volgens bestemming" zoals vastgelegd in de EN 292-1 is het gebruik waarvoor het technisch product volgens de opgave van de fabrikant –inclusief diens aanwijzingen in de verkoopbrochure– geschikt is. Bij twijfel is dat het gebruik dat uit de constructie, uitvoering en functie van het product als gebruikelijk naar voren komt. Tot het gebruik volgens bestemming behoort ook het in acht nemen van de instructies in de gebruiksaanwijzing.

## Installatie

- De maximaal toelaatbare omgevingstemperatuur waarbij een goede werking kan worden gegarandeerd, is 40°C.
- Plaats het apparaat nooit in ruimten waar de temperatuur onder 0°C kan dalen.
- Vervoer het apparaat rechtop.
- Installeer het apparaat nooit in ruimtes waar met water wordt gespoten of gespreid.
- Installeer het apparaat nooit voor in-, uit- en doorgangen die zijn bedoeld voor hulpdiensten.
- Plaats het apparaat op een vlakke, voldoende stevige ondergrond, in de buurt van een wateraansluitpunt, een waterafvoer en een elektrisch aansluitpunt met aarde.
- Sluit het apparaat zodanig aan op het elektriciteitsnet dat de aansluiting eenvoudig kan worden verbroken.
- Bij apparaten met een vaste netaansluiting wordt een aardlekschakelaar van max. 30 mA geadviseerd.
- Laat aan de voor- en achterzijde van het apparaat voldoende ruimte vrij voor onderhouds- en reparatiedoeleinden.
- Het apparaat moet altijd zodanig aan het elektriciteitsnet zijn aangesloten, dat de aansluiting van alle fasen en de nul eenvoudig verbroken kunnen worden. De minimale afstand tussen de contacten in de verbroken toestand moet tenminste 3 mm bedragen.
- Sluit het apparaat via een gemakkelijk bereikbare, handbediende kraan aan op het waterleidingnet, zodat de watertoevoer eenvoudig kan worden afgesloten.
- Neem bij het installeren altijd de plaatselijk geldende regels en normen in acht.

## Gebruik

- Inspecteer het apparaat voor gebruik en controleer het op beschadigingen.
- Bescherm het apparaat tegen water en vocht. Sproei of spuit het apparaat niet nat en dompel het nooit onder in water.
- Houd de bedieningsorganen vrij van vuil en vet.
- Let erop dat sommige delen van het apparaat tijdens gebruik erg heet worden.
- Verbreek de aansluiting met het elektriciteitsnet en sluit de watertoevoer af wanneer het apparaat gedurende langere tijd niet wordt gebruikt. Reinig het apparaat volgens de instructie. Tap het water af.
- Mocht uw apparaat zijn bevroren, verbreek dan de verbinding met het elektriciteitsnet, sluit de watertoevoer af en wacht totdat het apparaat ontdooit is.

## Onderhoud en verhelpen van storingen

- Reparaties en niet in dit document opgenomen onderhoudswerkzaamheden moeten altijd worden uitgevoerd door servicetechnici.
- Indien de netaansluiting zichtbaar beschadigd is, moet deze worden vervangen door een gekwalificeerd servicetechnicus.
- Respecteer de gegeven onderhoudsintervallen. Achterstallig onderhoud kan leiden tot hoge reparatiekosten en kan aanspraken op garantie doen vervallen.
- Voer geen onderhoudswerkzaamheden aan het apparaat uit vóórdat het is beveiligd tegen onbedoeld in werking treden. Verbreek in dergelijke gevallen de aansluiting met het elektriciteitsnet.
- Blijf tijdens alle onderhoudswerkzaamheden bij het apparaat.
- Gebruik voor het reinigen van het apparaat uitsluitend het reinigingsmiddel en de ontkalker die door de fabrikant worden aanbevolen.
- Draag altijd geschikte gelaatsbescherming en veiligheidshandschoenen wanneer u met het reinigingsmiddel en/of de ontkalker werkt. Was uw handen na het gebruik van deze middelen.
- Voorkom beschadiging van het apparaat als gevolg van gemorste ontkalkeroplossing. Verwijder deze zo snel mogelijk, met inachtneming van eerder vermelde veiligheidsinstructies.

---

## **Getroffen veiligheidsvoorzieningen**

Het apparaat is standaard voorzien van de volgende veiligheidsvoorzieningen:

- Met behulp van de AAN/UIT-schakelaar wordt het apparaat aan- en uit geschakeld. Na het uitschakelen kan het apparaat echter nog onder spanning blijven staan. Om het apparaat totaal spanningsvrij te maken, moet de stekker uit de wandcontactdoos getrokken worden.
- Lekbak om overlast door gemorste drank te voorkomen.
- Overstroombeveiliging die voorkomt dat het apparaat meer water inneemt dan toegestaan.
- Thermische beveiliging die de stroom onderbreekt als de watertemperatuur in de boiler te hoog wordt.
- Overdrukbeveiliging, alleen module 4 en 8, die voorkomt dat de druk in de boiler ontoelaatbaar hoog wordt.

## **Apparaten en het milieu**

### **Verpakkingsmateriaal**

Het verpakkingsmateriaal dat voor het transport en ter bescherming van het apparaat dient, bestaat overwegend uit de volgende materialen:

- (golf)karton
- Polystyreen elementen

Over het algemeen kan het verpakkingsmateriaal, na installatie van het apparaat, via uw dealer worden geretourneerd. Mocht dit niet mogelijk zijn, informeer dan bij de reinigingsdienst van uw gemeente waar u het materiaal kunt afgeven.

### **Afdanken van het apparaat**

Apparaten die u wilt afdanken, worden veelal na overleg door uw dealer terug genomen. Indien dit niet mogelijk is, informeer dan ook hiervoor bij de gemeente naar de mogelijkheden voor hergebruik of milieuvriendelijke verwerking van de materialen. Alle kunststof delen zijn hiertoe op duidelijke wijze gecodeerd. De in het apparaat aanwezige printplaat en daarop aangesloten componenten behoren tot het elektrisch en elektronisch afval.

# 1. ALGEMEEN

## 1.1 Het apparaat

### 1.1.1 Algemene beschrijving

Apparaten uit de RLX serie zijn ontworpen voor de bereiding van koffie, heet water en/of stoom voor het verwarmen van dranken.

Eén apparaat is een samenstelling van één of meerdere modules.

In dit document worden de algemene gegevens van alle modules behandeld.  
Lees tevens de gebruiksaanwijzing van de specifieke modules.

### 1.1.2 De modules

De cijfers in de modelaanduiding geven aan uit welke modules uw apparaat is opgebouwd.

In tabel 1 worden de verschillende **standaard** modules aangegeven.

Module	Soort	Opmerking
1	koffie	met glazen kan
2	wide body	met warmhoudplaatje
3	heetwater	laag model
4	heetwater/stoom	laag model
5	koffie	met container
6	koffie	met airpot
7	heetwater	hoog model
8	heetwater/stoom	hoog model

Tabel 1 De verschillende modules

#### Voorbeeld:

De RLX 231 bestaat uit:

- links een wide body module (2),
- midden een lage heetwater module (3) en
- rechts een glazen kan koffie module (1).

### 1.1.3 Voorkeurschakeling

Afhankelijk van de configuratie kan uw apparaat zijn uitgevoerd met voorkeurschakeling. Een elektronische schakeling in het apparaat zorgt ervoor dat er geen twee modules met groot vermogen tegelijk ingeschakeld kunnen zijn. Indien uw apparaat is uitgevoerd met een voorkeurschakeling, zal de koffiemodule in de voorkeurstand staan. Dit houdt in dat de andere modules door de besturing (gedeeltelijk) uitgeschakeld worden, als de koffiemodule wordt ingeschakeld. Informeer bij uw Bravilor Bonamat® dealer, uw servicemonteur of een van de servicebureaus voor de mogelijkheden.

## 1.2 Technische gegevens

### 1.2.1 Gewichten en afmetingen

- Zie hiervoor het uitklapblad.

### 1.2.2 Elektrisch systeem

- Zie het identificatieplaatje voor de juiste waarden.

### 1.2.3 Watersysteem

- Waterhardheid : min. 5 °DH
- Min. waterdruk (toevoer) : 50 kPa (0,5 bar)
- Max. waterdruk (toevoer) : 1000 kPa (10 bar)
- Flow : 5,5 l/min
- Geleidbaarheid : 100 µ Siemens/cm

### 1.2.4 Aanbevolen reinigingsmiddel en ontkalker

Reinigingsmiddel : CLEANER

Ontkalker : RENEGITE

- Zie §1.7.1 voor het bestellen van reinigingsmiddel en ontkalker.



#### TIP

- Zie voor de **standaard** modellen het uitklapblad.

## 1.3 Installatie

### 1.3.1 Uitpakken

- Controleer of het apparaat compleet is.
  - Indien onderdelen ontbreken of beschadigd zijn, neem dan contact op met uw dealer.
- inhoud van de verpakking, bij de **standaard** modellen, bestaat uit:

	RLX														
	3	4	5	31	41	55	75	76	85	13 1	23 1	24 1	57 5	58 5	
lekbak	1x	1x	1x	1x	1x	2x	2x	1x	2x	1x	1x	1x	3x	3x	
water aansluitlang	1x	1x	1x	1x	1x	1x	1x	1x	1x	1x	1x	1x	1x	1x	
filterpapier	-	-	1x	1x	1x	1x	1x	1x	1x	1x	1x	1x	1x	1x	
filterpan (met veer)	-	-	1x	1x	1x	1x	1x	1x	1x	1x	1x	1x	1x	1x	
Glazen kan	-	-	-	1x	1x	-	-	-	-	2x	2x	2x	-	-	
maatschep	-	-	1x	1x	1x	1x	1x	1x	1x	1x	1x	1x	1x	1x	
Cleaner	-	-	1x	1x	1x	1x	1x	1x	1x	1x	1x	1x	1x	1x	
Renegite	1x	-	1x	1x	1x	1x	1x	1x	1x	1x	1x	1x	1x	1x	
trechter (t.b.v. ontkalken)	-	-	1x	1x	1x	1x	1x	1x	1x	1x	1x	1x	1x	1x	
peilglasborstel	-	-	1x	-	-	1x	1x	-	1x	-	-	-	1x	1x	

Tabel 2 Inhoud van de verpakking

### 1.3.2 Eerste ingebruikname



#### **WAARSCHUWING**

△ Voedingsspanningen kunnen per land variëren. Gegevens met betrekking tot de voedingsspanning en frequentie treft u aan op het identificatieplaatje.

- Lees eerst het hoofdstuk "Veiligheidsvoorschriften en waarschuwingen voor gevaren" door.
- Plaats het apparaat op een stevige, vlakke (maximaal 5° uit het lood) ondergrond.
- Plaats het apparaat in de buurt van een waterkraan, eventueel een afvoer en een geaarde wandcontactdoos.
  - Zorg dat aan de voor- en achterzijde van het apparaat voldoende ruimte is voor onderhoud en reparatie.
- Sluit het apparaat met behulp van de meegeleverde waterslang aan op de handkraan.
  - Zorg dat de wateraanvoer met behulp van de kraan gemakkelijk kan worden afgesloten.
- Open de kraan.
- Steek de stekker in de wandcontactdoos.
- De module(s) moeten doorgespoeld worden.
  - Lees hiervoor de desbetreffende paragraaf van de specifieke gebruiksaanwijzing.

## 1.4 Gebruik

### 1.4.1 Bedieningsorganen

Het bedieningspaneel is voorzien van 2 druktoetsen, 1 of 2 indicatielampjes en een display.

Op het display verschijnen verschillende symbolen, waarden en meldingen die in de gebruiksaanwijzing van de specifieke modules worden toegelicht.



## 1.5 Onderhoud

### 1.5.1 Dagelijks

1. Verwijder de complete lekbak.
2. Was alle onderdelen af in warm water, waaraan u een normaal afwasmiddel heeft toegevoegd.

### 1.5.2 Wekelijks

1. Verwijder de lekbak.
2. Los 1 zakje **Cleaner** op in 3 l water (min. 80°C).
3. Leg de te reinigen delen in deze oplossing.
4. Laat geheel inweken (max. 30 min.).
5. Spoel de onderdelen met heet water goed schoon.
6. Maak het apparaat aan de buitenzijde schoon met een vochtige doek. Gebruik **nooit** een schurend of bijtend schoonmaakmiddel.
7. Wrijf het apparaat droog met een zachte doek.
8. Plaats de lekbak weer voor het apparaat.

### 1.5.3 Ontkalken

#### 1.5.3.1 Ontkalkingsignalering

In het apparaat zet zich tijdens het gebruik kalk af. De koffie- heetwater- en stoommodules zijn voorzien van een ontkalkingsignalering ▽, dat gaat knipperen wanneer het apparaat moet worden ontkalkt.

#### 1.5.3.2 Instellen ontkalkingsignalering

*Alléén geldig voor de Modules 3, 4, 7 en 8.*

Het aantal liters water dat door de module stroomt voordat de ontkalkingssignalering in werking treedt, is in te stellen.

- Houd hierbij rekening met de waterhardheid (zie tabel 3).

Stand	Signalering na aantal liters	Waterhardheid		
		°DH	°TH	Omschrijving
OFF	Geen signalering	-	-	-
1	± 250 liter	18-30	32-55	hard
2	± 500 liter	12-18	22-32	vrij hard
3	± 1000 liter	8-12	15-22	gemiddeld
4	± 1500 liter	4-8	7-15	zacht
5	± 2000 liter	0-4	0-7	zeer zacht
4,0	°DH = 0,714 mmol/liter			
5,6	°DH = 1,000 mmol/liter			
8,0	°DH = 1,429 mmol/liter			
12,0	°DH = 2,143 mmol/liter			
18,0	°DH = 3,214 mmol/liter			
30,0	°DH = 5,357 mmol/liter			
10,0	°TH = 1,000 mmol/liter			

Tabel 3 Instellingen waterhardheid

#### TIP

- Informeer bij uw waterleidingbedrijf naar de hardheid van het geleverde water.



## 1.6 Verhelpen van storingen

Raadpleeg bij storingen eerst de storingstabellen. Lukt het niet om het probleem op te lossen, raadpleeg dan uw Bravilor Bonamat® dealer, uw servicemonteur of een van de servicebureaus.

### 1.6.1 Storingsanalyse algemeen

Symptoom:	Mogelijke oorzaak:	Handeling:
1. Het apparaat werkt niet en op het display staat niets.	Stekker zit niet in de wandcontactdoos.	Steek de stekker in de wandcontactdoos..
	Externe zekering is uitgesprongen.	Reset of vervang de externe zekering.
	Groep is overbelast.	Sluit het apparaat aan op een andere groep.

## 1.7 Verbruiksartikelen en accessoires

### 1.7.1 Aanbevolen verbruiksartikelen

Benaming	Bestelnummer	Aantal
filterpapier	7.150.101.101	1000 stuks
ontkalker (RENEGITE)	7.190.101.103	48 x 50 gr.
	7.190.103.103	40 x 100 gr.
	7.190.102.101	6 x 1 kg.
reinigingsmiddel (CLEANER)	7.191.101.212	60 x 15 gr.
	7.191.102.201	10 x 1 kg.

### 1.7.2 Accessoires

Theefilterpan : 7.091.102.101

# Bravilor Bonamat<sup>®</sup>

RLX

ALLMÄNT

SE

700.403.329  
Bravilor Bonamat<sup>®</sup>  
© 12–2001

Bravilor Bonamat  
Pascalstraat 20  
1704 RD Heerhugowaard  
Nederlândia

Alla rättigheter förbehållna.

Ingen del av detta dokument får kopieras och/eller publiceras genom tryck, fotokopiering, mikrofilmning eller på något annat sätt utan skriftligt medgivande från tillverkaren. Detta gäller i samma utsträckning ritningar och/eller figurer som förekommer i detta dokument.

Informationen i detta dokument baseras på allmänna data vad beträffar konstruktion, materialegenskaper och arbetsmetoder som var oss kända vid tiden för publiceringen och därför förbehåller vi oss rätten att göra ändringar utan att behöva meddela detta. Av denna anledning bör anvisningarna i detta dokument ses som rekommendationer vad beträffar installationen, användningen och underhållet av den kaffemaskin som anges på dokumentets framsida.

Detta dokument gäller standardversionen av denna modell. Tillverkaren påtar sig därför inget ansvar vad beträffar skador till följd av specifikationer som avviker från maskinens standardversion vilken levererades till er.

Största möjliga noggrannhet har iakttagits i utformningen av detta dokument men tillverkaren påtar sig inget ansvar för eventuella felaktigheter i detta dokument eller för eventuella följder som sådana felaktigheter kan få.

**TA DIG TID ATT LÄSA DETTA DOKUMENT NOGGRANT INNAN DU ANVÄNDER MASKINEN.  
HA UTVIKNINGSBLADET ÖPPET MEDAN DU LÄSER.  
FÖRVARA ALLTID DETTA DOKUMENT I NÄRHETEN AV MASKINEN.**

# FÖRORD

## Använda detta dokument

Detta dokument syftar till att ge behöriga användare anvisningar för säker installation, användning och underhåll av kaffemaskinen.

**Instruktionerna för användning inkluderar en allmän sektion och en specifik sektion per modul som utgör en del av din maskin.**

Orden "vänster", "höger", "fram" och "bak" används i dokumentet för att hänvisa till en viss del av maskinen. Utgångspunkten för detta är den punkt där användaren står när han/hon ska använda maskinen.

## Bilder och symboler

I detta **dokument** finns följande bilder och symboler:



### **TIPS**

- Tips, förslag eller råd för att vissa åtgärder ska kunna utföras lättare eller på bättre sätt.



### **OBS!**

- Förfaranden som kan orsaka skador på maskinen, omgivningen eller miljön om de inte utförs med tillbörlig försiktighet.



### **VARNING**

- △ Förfaranden som kan orsaka allvarliga skador på maskinen eller personskador om de inte utförs med tillbörlig försiktighet.



### **VARNING**

- △ Risk för elektriska stötar.



### **VARNING**

- △ Risk för brännskada.

## Övriga dokument

Följande övriga dokument finns tillgängliga:

- Särskilda användarinstruktioner för kaffe- och wide body-modulen : 700.403.275
- Särskilda användarinstruktioner för varmvattenmodulen : 700.703.276
- Särskilda användarinstruktioner för varmvatten-/ångmodulen : 700.703.277
- RLX underhållshandbok : 700.703.Pxx

## Dokumentkod

Dokumentkoden består av två fält:

- Fält 1: dokumentnummer (vilket vid behov följs av revideringsnummer)
- Fält 2: revideringsdatum

## **Service och tekniskt support**

Kontakta försäljaren rörande information om specifika inställningar, underhåll eller service som inte nämns i detta dokument. De hjälper gärna till. När du kontaktar försäljaren, se till att du har följande information till hands:

- Modellkod
- Typnummer
- Serienummer

Denna information hittar du på märkbrickan. Skriv ner informationen på märkbrickan i avsett fält (fig.1).

## **Garantivillkor**

Garantivillkoren som gäller för denna maskin ingår i leveransvillkoren.

## **Märkning av maskinen**

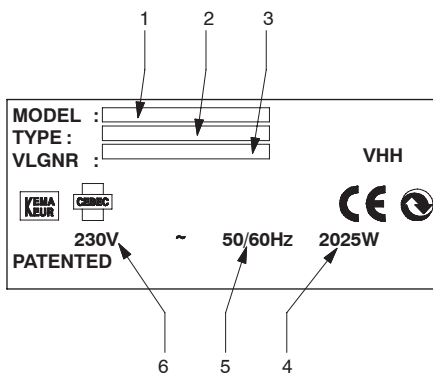


Fig. 1 Märkbricka

1. Modellkod
2. Typnummer
3. Serienummer
4. Kapacitet
5. Frekvens
6. Förbrukningsspänning

# Innehållsförteckning

<b>Förord</b> .....	<b>I</b>
<b>Använda detta dokument</b> .....	<b>I</b>
Bilder och symboler .....	I
Övriga dokument .....	I
Dokumentkod .....	I
Service och tekniskt support .....	II
Garantivillkor .....	II
<b>Märkning av maskinen</b> .....	<b>II</b>
<b>Säkerhetsanvisningar och varningar</b> .....	<b>V</b>
Allmänt .....	V
Bruksanvisning .....	V
Bilder och anvisningar på maskinen (om sådana finns) .....	V
Användare .....	V
Korrekt användning .....	V
Tekniska specifikationer .....	V
Ändringar .....	V
Installation .....	VI
Användning .....	VI
Underhåll och reparation av tekniska fel .....	VI
Säkerhetsanordningar .....	VII
<b>Kaffemaskinen och miljön</b> .....	<b>VII</b>
Förpackningsmaterial .....	VII
Kassering av maskinen .....	VII
<b>1. Allmänt</b> .....	<b>1</b>
<b>1.1 Maskinen</b> .....	<b>1</b>
1.1.1 Allmän beskrivning .....	1
1.1.2 Modulerna .....	1
1.1.3 Önskad krets .....	1
<b>1.2 Tekniska data</b> .....	<b>1</b>
1.2.1 Vikter och mått .....	1
1.2.2 Elektriskt system .....	1
1.2.3 Vattensystem .....	1
1.2.4 Rekommenderade rengörings- och avkalkningsmedel .....	1
<b>1.3 Installation</b> .....	<b>2</b>
1.3.1 Uppackning .....	2
1.3.2 Första gången maskinen tas i bruk .....	2
<b>1.4 Användning</b> .....	<b>2</b>
1.4.1 Reglage .....	2
<b>1.5 Underhåll</b> .....	<b>3</b>
1.5.1 Dagligen .....	3
1.5.2 En gång i veckan .....	3
1.5.3 Avkalkning .....	3
1.5.3.1 Avkalkningsindikator .....	3
1.5.3.2 Ställa in avkalkningssignalen .....	3
<b>1.6 Åtgärder vid störningar</b> .....	<b>4</b>
1.6.1 Felsökning, allmän .....	4
<b>1.7 Konsumtionsvaror och tillbehör</b> .....	<b>4</b>
1.7.1 Rekommenderade konsumtionsvaror .....	4
1.7.2 Tillbehör .....	4

## Säkerhetsanvisningar och varningar

### Allmänt

Tillverkaren påtar sig inget ansvar vad beträffar skador eller personskador som uppstår till följd av underlåtenhet att (starkt) följa säkerhetsanvisningarna i åtföljande dokument, eller som uppstår till följd av försumlighet vid installation, användning eller underhåll av de moduler som anges på dokumentens framsida eller på eventuella tillbehör.

Ytterligare säkerhetsanvisningar kan behövas beroende på den specifika arbetsmiljö som krävs av de tillbehör som används. Kontakta försäljaren om du tror att det finns potentiella risker med att använda maskinen.

**Det fulla ansvaret för iakttagande av lokala säkerhetsanvisningar och föreskrifter ligger alltid på användaren.**

### Bruksanvisning

- Var och en som arbetar med maskinen ska känna till innehållet i detta dokument och noggrant följa de instruktioner som ges. De ansvariga måste instruera personalen utifrån detta dokument och ta hänsyn till alla anvisningar och rekommendationer.
- Ändra aldrig den ordning i vilken olika åtgärder ska genomföras.
- Förvara alltid detta dokument i närheten av maskinen.

### Bilder och anvisningar på maskinen (om sådana finns)

- Bilder, varningar och anvisningar på maskinen utgör ett led i säkerhetsbestämmelserna. Dessa får inte täckas över eller tas bort utan de måste alltid sitta på maskinen och förbli läsbara under den tid som maskinen används. Bilder, varningar eller anvisningar som inte längre går att läsa måste återställas eller bytas ut omedelbart.

### Användare

- Kaffemaskinen får endast användas av utbildade och behöriga personer.

### Korrekt användning <sup>2</sup>

Maskinen har utformats för att fungera som kaffebryggare, tillhandahållare av varmt vatten och för att värma upp drycker med hjälp av ånga. Tillverkaren påtar sig inget ansvar för skador eller personskador som uppkommer ur sådan användning. Maskinen uppfyller gällande standarder och riktlinjer. Använd endast maskinen om den är i perfekt skick och endast i det syfte som angetts ovan.

### Tekniska specifikationer

De specifikationer som anges i detta dokument får inte ändras.

### Ändringar

Ändringar av (delar av) maskinen får ej göras.

2. Med "korrekt användning" avses enligt EN 292-1 användning i det syfte för vilket produkten enligt tillverkaren är avsedd – inklusive anvisningarna i produktbroschyren. Vid tvekan avses den användning som framgår av produktens konstruktion, version och funktion. Korrekt användning innefattar även att hänsyn tas till de anvisningar som ges i bruksanvisningen.



---

## Installation

- Den maximalt godkända omgivningstemperaturen i vilken maskinens funktion kan garanteras är 40°C.
- Placera inte maskinen i rum där temperaturen kan sjunka under 0°C.
- Vänd aldrig på maskinen, flytta den alltid i upprätt läge.
- Installera aldrig apparaten i lokaler där man brukar spruta med vatten.
- Installera aldrig maskinen framför ingångar, utgångar och korridorer avsedda för nödsituationer.
- Placera maskinen på ett stadigt och platt underlag nära vattenanslutning, avlopp och ett jordat eluttag.
- Koppla maskinen till elnätet på ett sådant sätt att strömmen lätt kan stängas av.
- Om maskinen är fast ansluten till el bör det finnas en jordfelsbrytare (max. 30 mA).
- Lämna tillräckligt utrymme bakom och framför maskinen så att underhåll och reparationer kan utföras.
- Maskinen bör anslutas till elnätet på ett sådant sätt att alla faser och nollläget lätt kan kopplas bort. Minimumavståndet mellan kontakterna och den bortkopplade positionen bör vara minst 3 mm.
- Anslut maskinen till en lättillgänglig, manuell vattenkran så att vattnet lätt kan stängas av.
- Iakttag vid installationen alltid lokalt gällande regler och föreskrifter.

## Användning

- Se över maskinen innan användning och kontrollera beträffande eventuella skador.
- Skydda maskinen mot vatten och fukt. Spola inte av maskinen, sänk den heller aldrig ner i vatten.
- Se till att smuts och fett inte kommer in i knappar och reglage.
- Observera att vissa delar på maskinen blir väldigt varma vid användning.
- Koppla ifrån el och vatten när maskinen inte ska användas under en längre period. Rengör maskinen enligt anvisningarna. Töm vattensystemet.
- Om maskinen har frusit skall man stänga av el och vatten och vänta tills maskinen har tinat.

## Underhåll och reparation av tekniska fel

- Reparations- och underhållsåtgärder som inte redogörs för i detta dokument måste utföras av servicepersonal.
- Om man kan se skador på nätanslutningen bör den bytas ut. Låt en befogad servicetekniker ersätta den.
- Observera de angivna underhållsintervallen. Försenat underhåll kan leda till höga reparationskostnader och kan göra att garantin inte längre gäller.
- Utför inget underhåll på maskinen förrän du försäkrat dig om att den inte kan sätta igång av misstag. Koppla därför ifrån strömmen.
- Undvik kontakt med delar som rör sig.
- Lämna aldrig maskinen under underhållsarbete.
- Vid rengöring ska endast de rengöringsmedel och avkalkningsmedel som rekommenderas av tillverkaren användas.
- Bär alltid lämpligt ansiktsskydd och handskar när du arbetar med rengörings- och avkalkningsmedel. Tvätta händerna efter användning.
- Förhindra att avkalkningsmedel spills på maskinen då detta kan leda till maskinskador. Torka upp spillt avkalkningsmedel så snabbt som möjligt och följ de tidigare angivna säkerhetsanvisningarna.

## Säkerhetsanordningar

Maskinen är standardutrustad med följande säkerhetsanordningar:

- Maskinen sätts på och stängs av med hjälp av strömbrytaren. När maskinen stängts av finns fortfarande viss restspänning i elsystemet. Dra ur sladden från eluttaget för att avlägsna denna restspänning.
- Spillbricka för att förhindra obehag orsakad av utspillda drycker.
- Överrinningskydd som förhindrar att maskinen tar in mer vatten än den klarar av.
- Termisk säkerhetsanordning som avbryter strömtillförseln när vattentemperaturen i varmvattenbehållaren blir för hög.
- Övertrycksskydd, endast i *modulerna 4 och 8*, som förhindrar att tryck i kokaren når oacceptabla nivåer.

## Kaffemaskinen och miljön

### Förpackningsmaterial

Förpackningsmaterialet för transport och skydd av maskinen består i huvudsak av följande:

- Wellpapp
- Polystyrendetaljer

I allmänhet kan förpackningsmaterialet skickas tillbaka till försäljaren efter det att maskinen installerats. Om detta inte är möjligt kan du rådfråga kommunens avdelning för sophämtning och renhållning om hur du ska göra dig av med materialet.

### Kassering av maskinen

Maskiner som du önskar kassera kan oftast efter samråd återlämnas till försäljaren. Om detta inte är möjligt kan du kontakta de lokala myndigheterna rörande möjligheter för återanvändning eller miljövänlig materialbearbetning. Alla plastdelar har i detta syfte tydligt kodats. Kretskortet i maskinen och de komponenter som är kopplade till detta ska hanteras som elektriskt eller elektroniskt avfall.

# 1. ALLMÄNT

## 1.1 Maskinen

### 1.1.1 Allmän beskrivning

Automaterna i RLX-serierna har utformats för att fungera som kaffebyggare, tillhandahållare av varmt vatten och för att värma upp drycker med hjälp av ånga.

En maskin är en enhet som består av en eller flera moduler.

I detta dokument beskrivs allmän information för alla moduler.  
Se även vidare i användarinstruktionerna för de specifika modulerna.

### 1.1.2 Modulerna

Figurerna i modulbeskrivningen indikerar vilka moduler just din maskin består av.

I tabell 1 visas de olika **standardmodellerna**.

Modul	Typ	Anmärkning
1	kaffe	med glaskanna
2	wide body	med värmeplatta
3	varmvatten	låg modell
4	varmvatten/ånga	låg modell
5	kaffe	med behållare
6	kaffe	med airpot
7	varmvatten	hög modell
8	varmvatten/ånga	hög modell

Tabell 1 De olika modulerna

#### Exempel:

RLX 231 består av:

- en wide body-modul (2) till vänster,
- en varmvattenmodul av låg modell (3) i mitten,
- ochen kaffemodul med glaskanna (1) till höger.

### 1.1.3 Önskad krets

Beroende på konfigurering kan din maskin utrustas med en önskad krets. En elektrisk krets inom maskinen garanterar att två högeffektsmoduler inte kan sättas på samtidigt. Om din maskin är utrustad med en önskad krets kommer kaffemodulen befinna sig i önskad position. Detta innebär att de andra modulerna kommer att stängas av eller delvis stängas av via kontrollsystemet så snart kaffemodulen sätts på. Kontakta försäljaren av Bravilor Bonamat®, din servicetekniker eller ett av servicekontoren angående olika varianter.

## 1.2 Tekniska data

### 1.2.1 Vikter och mått

- Se utvigningsbladet.

### 1.2.2 Elektriskt system

- Se märkbrickan för korrekt information.

### 1.2.3 Vattensystem

- Vattenhårdhet : min. 5 °DH
- Min. vattentryck (matning) : 50 kPa (0,5 bar)
- Max. vattentryck (matning) : 1000 kPa (10 bar)
- Flödesmängd : 5,5 l/min
- Ledningsförmåga : 100 µ Siemens/cm

### 1.2.4 Rekommenderade rengörings- och avkalkningsmedel

Rengöringsmedel : CLEANER

Avkalkningsmedel : RENEGITE

- Se vidare i §1.7.1 för beställningsinformation gällande rengörings- och avkalkningsmedel.



#### TIPS

- Se vidare i utvigningsbladet för **standardmodellerna**.

## 1.3 Installation

### 1.3.1 Uppackning

1. Kontrollera att alla maskindelar är med.
  2. Kontakta försäljaren om delar fattas eller har gått sönder.
- Förpackningens innehåll, om det handlar om **standardmodellen**, består av:

	RLX														
	3	4	5	31	41	55	75	76	85	13 1	23 1	24 1	57 5	58 5	
Spillbricka	1x	1x	1x	1x	1x	2x	2x	1x	2x	1x	1x	1x	3x	3x	
Vatten slang	1x	1x	1x	1x	1x	1x	1x	1x	1x	1x	1x	1x	1x	1x	
Filterpapper	-	-	1x	1x	1x	1x	1x	1x	1x	1x	1x	1x	1x	1x	
Filterhållare (med fjäder)	-	-	1x	1x	1x	1x	1x	1x	1x	1x	1x	1x	1x	1x	
Glaskanna	-	-	-	1x	1x	-	-	-	-	2x	2x	2x	-	-	
Måttskopa	-	-	1x	1x	1x	1x	1x	1x	1x	1x	1x	1x	1x	1x	
Rengöringsmedel	-	-	1x	1x	1x	1x	1x	1x	1x	1x	1x	1x	1x	1x	
Renegite	1x	-	1x	1x	1x	1x	1x	1x	1x	1x	1x	1x	1x	1x	
Tratt (för avkalkning)	-	-	1x	1x	1x	1x	1x	1x	1x	1x	1x	1x	1x	1x	
Synglasborste	-	-	1x	-	-	1x	1x	-	1x	-	-	-	1x	1x	

Tabell 2 Förpackningens innehåll

### 1.3.2 Första gången maskinen tas i bruk

## 1.4 Användning

### 1.4.1 Reglage



#### **VARNING**

- △ Nätspänningen kan variera från land till land. Information om förbrukningsspänning och frekvens finns på märkbrickan.
1. Börja med att läsa kapitlet "Säkerhetsanvisningar och varningar".
  2. Placera maskinen på en fast, plan yta som har en maximal lutning på 5°.
  3. Placera maskinen i närheten av en vattenkran, och, om möjligt, ett avlopp och ett jordat vägguttag.
    - Lämna tillräckligt med utrymme bakom och framför maskinen så att underhåll och reparationer kan utföras.
  4. Anslut maskinen till en manuell avstängning med den medföljande slangen.
    - Försäkra dig om att vattentillförseln lätt kan stängas av med kranen.
  5. Öppna kranen.
  6. Sätt i kontakten i vägguttaget.
  7. Modulen/modulerna måste sköljas igenom.
    - För instruktioner, läs igenom aktuell paragraf i de särskilda användarinstruktionerna.

Kontrollpanelen består av 2 tryckknappar, 1 eller 2 indikatorlampor och ett teckenfönster.

På teckenfönstret kommer olika symboler att visas som visar olika värden och meddelanden som finns förklarade i användarinstruktionerna för aktuell modul.

## 1.5 Underhåll

### 1.5.1 Dagligen

1. Ta bort hela spillbrickan.
2. Tvätta alla delar i varmt vatten med ett vanligt diskmedel.

### 1.5.2 En gång i veckan

1. Ta bort spillbrickan.
2. Lös upp 1 påse **Cleaner** i 3 l vatten (min. 80°C).
3. Lägg ner de delar som ska rengöras i denna lösning.
4. Låt det ligga och dra ordentligt (max. 30 min.).
5. Skölj noggrant alla delar i varmt vatten.
6. Torka av automatens utsida med en fuktig trasa. Använd **aldrig** rengöringsprodukter som är har en skrovlig yta eller är frätande.
7. Torka sedan automaten med en mjuk trasa.
8. Sätt tillbaka spillbrickan framför maskinen.

### 1.5.3 Avkalkning

#### 1.5.3.1 Avkalkningsindikator

Under användning kommer maskinen att fyllas med kalk inifrån. Kaffe-, varmvatten- och ångmodulerna har alla ett avkalkningsvarningssystem ▽ som indikerar när maskinen måste avkalkas.

#### 1.5.3.2 Ställa in avkalkningssignalen

Endast för modulerna 3, 4, 7 och 8.

Antalet liter vatten som går igenom modulen innan avkalkningsvarningssystemet aktiveras kan ändras.

- Tänk på vattnets hårdhet (se tabell 3).

Läge	Signal efter antal liter	Vattenhårdhet		
		°DH	°TH	Beskrivning
OFF	Ingen signal	–	–	–
1	± 250 liter	18–30	32–55	hårt
2	± 500 liter	12–18	22–32	ganska hårt
3	± 1000 liter	8–12	15–22	normalt
4	± 1500 liter	4–8	7–15	mjukt
5	± 2000 liter	0–4	0–7	mycket mjukt
4,0	°DH = 0,714 mmol/liter			
5,6	°DH = 1,000 mmol/liter			
8,0	°DH = 1,429 mmol/liter			
12,0	°DH = 2,143 mmol/liter			
18,0	°DH = 3,214 mmol/liter			
30,0	°DH = 5,357 mmol/liter			
10,0	°TH = 1,000 mmol/liter			

Tabell 3 Inställning av vattenhårdhet

### TIPS

- Fråga ditt lokala vattenverk om hårdheten på vattnet.



## 1.6 Åtgärda tekniska fel

Om tekniska fel uppstår ska du först gå igenom listorna över tekniska fel. Om problemet inte kan lösas ska du kontakta försäljaren av Bravilor Bonamat®, din servicetekniker eller någon av våra serviceavdelningar.

### 1.6.1 Analys av tekniska fel, allmän

Symptom:	Möjlig orsak:	Åtgärd:
1. Maskinen fungerar inte och ingenting visas i teckenfönstret.	Kontakten sitter inte i vägguttaget.	Sätt i kontakten i vägguttaget.
	En extern säkring har gått.	Återställ eller byt ut den externa säkringen.
	Gruppen är överbelastad.	Anslut automaten till en annan grupp.

## 1.7 Konsumtionsvaror och tillbehör

### 1.7.1 Rekommenderade konsumtionsvaror

Beskrivning	Beställningsnummer	Antal
filterpappret	7.150.101.101	1000 stycken
Avkalkningsmedel (RENEGITE)	7.190.101.103	48 x 50 gr.
	7.190.103.103	40 x 100 gr.
	7.190.102.101	6 x 1 kg.
Rengöringsmedel (CLEANER)	7.191.101.212	60 x 15 gr.
	7.191.102.201	10 x 1 kg.

### 1.7.2 Tillbehör

Tefilterhållare : 7.091.102.101

# Bravilor Bonamat<sup>®</sup>

RLX

GENERELT

700.403.329  
Bravilor Bonamat<sup>®</sup>  
© 12-2001

Bravilor Bonamat  
Pascalstraat 20  
1704 RD Heerhugowaard  
Nederland

ON

Med enerett.

Det er ikke lov å kopiere og/eller publisere noen del(er) av dette dokumentet ved hjelp av trykking, kopiering, mikrofilm eller andre måter, uten skriftlig tillatelse på forhånd fra produsenten. Dette gjelder på samme måte tegninger og diagrammer i dokumentet.

All informasjon i dette dokumentet er basert på generelle data som gjelder konstruksjon, materialegenskaper og arbeidsmetoder som er kjente når dokumentet publiseres, og derfor forbeholder vi retten til å gjøre endringer uten forvarsel. På grunn av dette, bør instruksjonene anses som en veiledning til installasjon, bruk og vedlikehold av maskinen indikert på forsiden.

Dette dokumentet gjelder standardversjonen av denne maskinen. Produsenten er derfor ikke ansvarlig for eventuelle skader som oppstår på grunn av spesifikasjoner som avviker fra standardversjonen av maskinen slik den ble levert til deg.

Alle mulige hensyn har blitt tatt i forbindelse med produksjonen av dette dokumentet, men produsenten påtar seg ikke ansvar for eventuelle feil i dette dokumentet eller eventuelle konsekvenser av dette.

**TA DEG TID TIL Å LESE NØYE GJENNOM DETTE DOKUMENTET FØR DU TAR MASKINEN I BRUK.  
HA UTBRETTSEDELEN ÅPEN MENS DU LESER.**

**DETTE DOKUMENTET MÅ ALLTID OPPBEVARES I NÆRHETEN AV MASKINEN.**



## INNLEDNING

### Bruk av dette dokumentet

Dette dokumentet gir autoriserte brukere instruksjoner for sikker installasjon og vedlikehold av maskinen.

**Bruksanvisningen har en generell del og en spesifikk del per modul av maskinen.**

Ordene "venstre", "høyre", "forside" og "bakside" brukes for å indikere en bestemt del av maskinen. Avgangspunktet i denne sammenheng, er posisjonen der brukeren står på betjeningssiden.

### Ikoner og symboler

I dette dokumentet brukes følgende ikoner og symboler:



#### **TIPS**

- Tips, forslag eller råd for hvordan du kan utføre bestemte oppgaver på en enklere eller mer ordentlig måte.



#### **FORSIKTIG!**

- Prosedyrer som kan føre til skader på maskinen, området rundt den eller miljøet, hvis de ikke utføres med nødvendig aktsomhet.



#### **ADVARSEL**

- △ Prosedyrer som kan føre til alvorlige skader på maskinen eller fysiske skader, hvis de ikke utføres med nødvendig aktsomhet.



#### **ADVARSEL**

- △ Fare for elektrisk støt.



#### **ADVARSEL**

- △ Fare for brann.

### Relaterte dokumenter

Følgende relaterte dokumenter er tilgjengelige:

- Spesifikke brukerinstruksjoner for kaffemodul og wide body modul : 700.403.275
- Spesifikke brukerinstruksjoner for varmtvannsmodul : 700.703.276
- Spesifikke brukerinstruksjoner for varmtvanns/dampmodul : 700.703.277
- RLX vedlikeholdshåndbok : 700.703.Pxx

### Dokumentkode

Dokumentkoder består av to felt:

- Felt 1: dokumentnummer (om nødvendig etterfulgt av endringsnummeret)
- Felt 2: dato for siste endringer

## Service og brukerstøtte

Kontakt forhandleren for informasjon vedrørende spesifikke innstillinger, vedlikeholds- eller serviceaktiviteter som faller utenfor omfanget av dette dokumentet. Leverandoren er alltid glad for å kunne hjelpe. Når du gjør dette, bør du passe på å ha følgende informasjon for hånden:

- Modellkode
- Typenummer
- Serienummer

Disse opplysningene finner du på ID-platen. Skriv ned opplysningene på ID-platen i de riktige feltene (fig.1).

## Garantivilkår

Garantivilkårene for denne maskinen, utgjør deler av leveringsvilkårene.

## Identifikasjon av maskinen

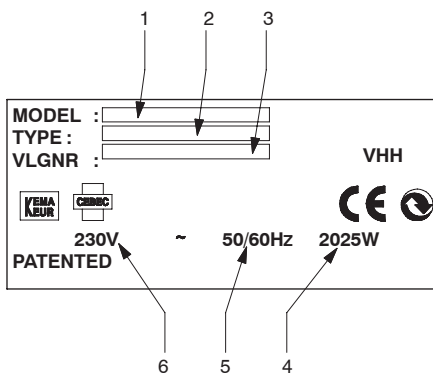


Fig. 1 ID-plate

1. Modellkode
2. Typenummer
3. Serienummer
4. Produksjonskapasitet
5. Frekvens
6. Matespenning

# Innholdsfortegnelse

<b>Innledning</b> .....	<b>I</b>
<b>Bruk av dette dokumentet</b> .....	<b>I</b>
Ikoner og symboler .....	I
Relaterte dokumenter .....	I
Dokumentkode .....	I
Service og brukerstøtte .....	II
Garantivilkår .....	II
<b>Identifikasjon av maskinen</b> .....	<b>II</b>
<b>Sikkerhetsinstruksjoner og advarsler</b> .....	<b>V</b>
Generelt .....	V
Bruksanvisning .....	V
Ikoner og instruksjoner på maskinen (hvis de finnes) .....	V
Brukere .....	V
Riktig bruk .....	V
Tekniske spesifikasjoner .....	V
Endringer .....	V
Installasjon .....	VI
Bruk .....	VI
Feil ved vedlikehold og reparasjon .....	VI
Sikkerhetsanordninger .....	VII
<b>Maskiner og miljøet</b> .....	<b>VII</b>
Emballasje .....	VII
Deponering av maskinen .....	VII
<b>1. Generelt</b> .....	<b>1</b>
<b>1.1 Maskinen</b> .....	<b>1</b>
1.1.1 Generell beskrivelse .....	1
1.1.2 Modulene .....	1
1.1.3 Preferansekrete .....	1
<b>1.2 Teknisk informasjon</b> .....	<b>1</b>
1.2.1 Mål og vekt .....	1
1.2.2 Det elektriske systemet .....	1
1.2.3 Vannsystemet .....	1
1.2.4 Anbefalte rengjørings- og avkalkningsmidler .....	1
<b>1.3 Installasjon</b> .....	<b>2</b>
1.3.1 Pakke ut maskinen .....	2
1.3.2 Første gangs bruk .....	2
<b>1.4 Bruk</b> .....	<b>2</b>
1.4.1 Kontroller .....	2
<b>1.5 Vedlikehold</b> .....	<b>3</b>
1.5.1 Daglig .....	3
1.5.2 En gang per uke .....	3
1.5.3 Avkalkning .....	3
1.5.3.1 Avkalkningsindikator .....	3
1.5.3.2 Stille inn avkalkningssignalet .....	3
<b>1.6 Feilkorrigerer</b> .....	<b>4</b>
1.6.1 Problemløsning generelt .....	4
<b>1.7 Forbruksvarer og tilbehør</b> .....	<b>4</b>
1.7.1 Anbefalte forbruksvarer .....	4
1.7.2 Tilbehør .....	4

NO

## Sikkerhetsinstruksjoner og advarsler

### Generelt

Produsenten godtar ikke noe ansvar overhodet for skader som oppstår som følge av at sikkerhetsinstruksjonene i dette dokumentet ikke overholdes til fulle, eller uaktsomhet under installasjon, bruk eller vedlikehold av modulene spesifisert på forsiden av dette dokumentet eller alt relatert tilleggsutstyr.

Det kan kreves ytterligere sikkerhetsinstruksjoner, avhengig av de spesifikke arbeidsforholdene som kreves for tilleggsutstyret som brukes. Kontakt forhandleren hvis du tror at det kan være potensielle farer i forbindelse med bruk av maskinen.

**Brukeren har alltid det fulle og hele ansvar for at lokale sikkerhetsinstruksjoner og bestemmelser blir overholdt.**

### Bruksanvisning

- Enhver person som bruker maskinen, må være kjent med innholdet i dette dokumentet og følge instruksjonene nøye. Ledelsen må instruere personalet på bakgrunn av dette dokumentet, og ta i betraktning alle instruksjonene og anbefalingene.
- Rekkefølgen for hvordan ting skal gjøres, må aldri endres.
- Dette dokumentet må alltid oppbevares i nærheten av maskinen.

### Ikoner og instruksjoner på maskinen (hvis de finnes)

- Ikoner, advarsler og instruksjoner som er festet på maskinen, utgjør deler av sikkerhetsforskriftene. De må ikke tildekkes eller fjernes, og de må være synlige og leselige så lenge maskinen er i bruk. Alle ikoner, advarsler eller instruksjoner som blir uleselige, må repareres eller erstattes umiddelbart.

### Brukere

- Maskinen må bare brukes av autoriserte og opplærte personer.

### Riktig bruk <sup>1</sup>

Maskinen er utviklet kun for å trakte kaffe, levere varmt vann og varme opp drikker ved hjelp av damp. Eventuelle andre bruksområder er ikke i samsvar med hensikten. Produsenten er ikke ansvarlig for skader som oppstår som følge av dette. Maskinen imotekommer gjeldende standarder og retningslinjer. Maskinen må bare brukes hvis den er i perfekt teknisk stand, og kun for riktig bruk, som beskrevet overfor.

### Tekniske spesifikasjoner

Spesifikasjonene som oppgis i dette dokumentet, må ikke endres.

### Endringer

Det er ikke tillatt å foreta endringer av (deler av) maskinen.

1. "Riktig bruk" som nedlagt i EN 292-1, er bruk som det tekniske produktet er egnet, som bestemt av produsenten – inkludert eventuelle instruksjoner i salgsbrosjyren. I tvilstilfeller er det bruken som er opplagt ut fra konstruksjon, versjon og funksjon av produktet. Riktig bruk inkluderer å følge instruksjonene i "bruksanvisning".

---

## Installasjon

- Maksimum omgivelsestemperatur for at god ytelse kan garanteres, er 40°C.
- Ikke plasser maskinen i rom der temperaturen kan falle under 0°C.
- Ikke vend maskinen, flytt den stående.
- Installer aldri maskinen i lokaler der det sprutes eller spyles med vann.
- Ikke installer maskinen foran innganger, utganger eller korridorer som brukes i nødsituasjoner.
- Plasser maskinen på et solid, flatt underlag, i nærheten av et vannutløp og et jordet elektrisk strømuttak.
- Kople maskinen til strømmettet på en slik måte at strømtilførselen lett kan koples fra.
- På maskiner med vanntilkobling anbefaler vi at det brukes en jordfeilbryter (30 mA).
- La det være tilstrekkelig mellomrom bak og foran maskinen, for vedlikehold og reparasjonsformål.
- Maskinen må koples til strømtilførselen på en slik måte at alle faser og null enkelt kan frakoples. Avstanden mellom kontaktene og frakoplet posisjon bør være minst 3 mm.
- Kople maskinen til en lett tilgjengelig, håndbetjent vannkran, slik at vanntilførselen lett kan skrues av.
- Følg alle lokale regler og standarder når du installerer maskinen.

## Bruk

- Kontroller maskinen før bruk, og se etter skader.
- Beskytt maskinen mot vann og fuktighet. Ikke spyl eller senk maskinen i vann.
- Pass på at det ikke kommer smuss og fett i betjeningskontrollene.
- Merk at enkelte deler kan bli svært varme under drift.
- Kople fra strømmen og vanntilførselen når maskinen ikke skal brukes på en lang stund. Rens maskinen ved å følge instruksjonene. Tøm vannsystemet.
- Hvis maskinen skulle fryse, koble fra strømmen, steng vanntilførselen og vent til maskinen har tint.

## Feil ved vedlikehold og reparasjon

- Reparasjons- og vedlikeholdsaktiviteter som ikke er inkludert i dette dokumentet, må alltid utføres av servicemekanikere.
- Hvis strømledningen/kontakten er synlig skadet, må de byttes ut. Be en kvalifisert servicetekniker om å utføre dette.
- Overhold vedlikeholdsintervallene. For sent vedlikehold kan føre til høye reparasjonskostnader, og kan gjøre garantikrav ugyldige.
- Ikke utfør vedlikehold på maskinen før du har sikret deg mot at den starter uten at du er forberedt. I slike tilfeller, må du frakople strømmen.
- Unngå kontakt med bevegelige deler.
- Ikke forlat maskinen når du utfører vedlikehold.
- Bruk kun rensedmidler og avkalkingsmidler som er anbefalt av produsenten.
- Bruk alltid ansiktsbeskyttelse og hansker når du arbeider med rens- og avkalkingsmidler. Vask hendene etter at du har brukt disse stoffene.
- Unngå skader på maskinen grunnet soling av avkalkingsmidler. Fjern eventuelt sol så raskt som mulig, og følg de tidligere nevnte sikkerhetsinstruksjonene.

---

## **Sikkerhetsanordninger**

Maskinen er utstyrt med følgende sikkerhetsutstyr som standard:

- Maskinen slås av eller på ved hjelp av AV/PÅ-knappen. Når du har slått maskinen av, er det fremdeles noe restspenning i el-systemet. Trekk ut kontakten fra vegguttaket for å fjerne denne restspenningen.
- Oppsamlingsbrett for å hindre problemer på grunn av søling.
- Beskyttelse mot oversvømmelse, som hindrer maskinen i å ta inn mer vann enn tillatt.
- Varmesikring som avbryter strømtilførselen når temperaturen i varmtvannsbeholderen blir for høy.
- Overtrykksvern, kun i *modul 4 og 8*, som forhindrer at trykket i varmtvannsbeholderen blir uakseptabelt høyt.

## **Maskiner og miljøet**

### **Emballasje**

Emballasjen for transport og beskyttelse av maskinen, består av følgende hovedkomponenter:

- Bølgepapp
- Polystyrenelementer

Generelt sett, kan emballasjen returneres via forhandleren etter at maskinen er installert. Hvis dette ikke lar seg gjøre, kan du spørre kommunens avfallsavdeling hvor du kan kvitte deg med materialene.

### **Deponering av maskinen**

Maskiner du vil kvitte deg med, kan vanligvis returneres til forhandleren etter konsultasjon. Hvis dette ikke lar seg gjøre, kan du spørre de lokale myndighetene om muligheten for gjenbruk eller miljøvennlig behandling av materialene. Alle plastdeler er tydelig merket for dette. Kretskortet i maskinen, og komponentene som er tilknyttet det, må sendes til elektrisk eller elektronisk avfall.

# 1. GENERELT

## 1.1 Maskinen

### 1.1.1 Generell beskrivelse

Maskinene i RLX-serien er utformet for å trakte kaffe, levere varmt vann og varme opp drikker ved hjelp av damp.

En maskin er en enhet som består av en eller flere moduler.

Dette dokumentet inneholder generell informasjon for alle moduler. Les også gjennom bruksanvisningene for de spesifikke modulene.

### 1.1.2 Modulene

Figuren i modellbeskrivelsen viser modulene som utgjør din maskin.

Tabell 1 viser de forskjellige **standardmodulene**.

Modul	Type	Merknad
1	kaffe	med glasskane
2	wide body	med varmeplate
3	varmt vann	lav modell
4	varmt vann/damp	lav modell
5	kaffe	med beholder
6	kaffe	med pumpetermos
7	varmt vann	høy modell
8	varmt vann/damp	høy modell

Tabell 1 De forskjellige modulene

#### Eksempel:

RLX 231 består av:

- en wide body modul (2) på venstre side,
- en lav varmtvannsmodul (3) på
- midten og en kaffemodul med glasskane (1) på høyre side.



#### TIPS

- Utbrettssiden viser **standardmodellene**.

### 1.1.3 Preferansekreter

Maskinen din kan ha en preferansekreter. Dette er avhengig av konfigurasjon. En elektronisk krets i maskinen sørger for at ikke to strømkrevende moduler kan slås på samtidig. Hvis maskinen har en preferansekreter, er kaffemodulen i preferanseposisjon. Dette vil si at de andre modulene slås av helt eller delvis av kontrollsystemet så snart kaffemodulen slås på. Be din Bravilor Bonamat®-forhandler, servicetekniker eller et av servicekontorene om informasjon om de forskjellige alternativene.

## 1.2 Teknisk informasjon

### 1.2.1 Mål og vekt

- Se utbrettssiden.

### 1.2.2 Det elektriske systemet

- Se ID-platen for riktige verdier.

### 1.2.3 Vannsystemet

- Vannets hardhet : min. 5 °DH
- Minste vanntrykk (tilførsel) : 50 kPa (0,5 bar)
- Største vanntrykk (tilførsel) : 1000 kPa (10 bar)
- Flythastighet : 5,5 l/min
- Ledeevne : 100 µ Siemens/cm

### 1.2.4 Anbefalte rengjørings- og avkalkningsmidler

Rengjøringsmiddel: CLEANER

Avkalkningsmiddel: RENEGITE

- Se §1.7.1 for informasjon om hvordan du bestiller rengjørings- og avkalkningsmidler.

## 1.3 Installasjon

### 1.3.1 Pakke ut maskinen

1. Kontroller at alle deler er med.
  2. Kontakt forhandleren hvis noen komponenter mangler eller er skadet.
- Delinnholdet i pakken består av følgende for **standardmodeller**:

	RLX														
	3	4	5	31	41	55	75	76	85	13 1	23 1	24 1	57 5	58 5	
spillbrett	1x	1x	1x	1x	1x	2x	2x	1x	2x	1x	1x	1x	3x	3x	
tilkoplingslange for vann	1x	1x	1x	1x	1x	1x	1x	1x	1x	1x	1x	1x	1x	1x	
kaffefilter	-	-	1x	1x	1x	1x	1x	1x	1x	1x	1x	1x	1x	1x	
filterbeholder (med fjær)	-	-	1x	1x	1x	1x	1x	1x	1x	1x	1x	1x	1x	1x	
glasskanne	-	-	-	1x	1x	-	-	-	-	2x	2x	2x	-	-	
måleskje	-	-	1x	1x	1x	1x	1x	1x	1x	1x	1x	1x	1x	1x	
Cleaner	-	-	1x	1x	1x	1x	1x	1x	1x	1x	1x	1x	1x	1x	
Renegite	1x	-	1x	1x	1x	1x	1x	1x	1x	1x	1x	1x	1x	1x	
trakt (for avkalkning)	-	-	1x	1x	1x	1x	1x	1x	1x	1x	1x	1x	1x	1x	
borste til nivåglass	-	-	1x	-	-	1x	1x	-	1x	-	-	-	1x	1x	

Tabell 2 Innholdet i pakken

### 1.3.2 Første gangs bruk



#### **ADVARSEL**

△ Spenningen på strømtilførselen kan variere fra land til land. Du finner informasjon om nødvendig spenning og frekvens på ID-platen.

1. Aller først bør du lese kapittelet om sikkerhetsinstruksjoner og advarsler.
2. Sett maskinen på et stabilt, plant underlag, med under 5° helning.
3. Sett maskinen i nærheten av en vannkran, om mulig også vannavløp og jordet veggkontakt.
  - La det være tilstrekkelig mellomrom bak og foran maskinen til vedlikehold og reparasjoner.
4. Kople maskinen til den manuelle kranen ved bruk av medfølgende vannslange.
  - Pass på at vanntilførselen enkelt kan skrues av ved bruk av vannkranen.
5. Åpne vannkranen.
6. Sett stopplet i kontakten.
7. Modulen(e) må stå plant.
  - Du finner flere instruksjoner i de spesifikke bruksanvisningene.

## 1.4 Bruk

### 1.4.1 Kontroller

Kontrollpanelet har 2 knapper, 1 eller 2 indikatorlamper og et display.

Displayet viser forskjellige symboler som angir verdier og meldinger. Du finner en forklaring på disse i bruksanvisningen for de spesifikke modulene.



## 1.5 Vedlikehold

### 1.5.1 Daglig

1. Ta av hele spillbrettet.
2. Vask alle delene i varmt vann med vanlig oppvaskmiddel.

### 1.5.2 En gang pr. uke

1. Ta av spillbrettet.
2. Løs opp 1 pose **Cleaner** i 3 l vann (min. 80°C).
3. Legg delene som skal rengjøres i denne oppløsningen.
4. La det ligge til bløt i opptil 30 min.
5. Skyll delene godt med varmt vann.
6. Tørk av utsiden av maskinen med en fuktig klut. Du må aldri bruke slpende eller etsende rengjøringsmidler.
7. Tørk av maskinen med en myk klut.
8. Sett spillbrettet på forsiden av maskinen.

### 1.5.3 Avkalkning

#### 1.5.3.1 Avkalkningsindikator

Under bruk kan det samles opp kalk i maskinen. Kaffe-, varmtvanns- og dampmodulene har et varselsystem ▽ som angir når maskinen må avkalkes.

#### 1.5.3.2 Stille inn avkalkningssignalet

*Kun for modul 3, 4, 7 og 8.*

Mengden liter vann som strømmer gjennom modulen for avkalkningsvarselet avgis, kan justeres.

- Husk å ta hensyn til hvor hardt vannet er (se tabell 3).

Posisjon	Signal etter antall liter	Vannharding		
		°DH	°TH	Beskrivelse
OFF	Ingen signal	–	–	–
1	± 250 liter	18–30	32–55	herdet
2	± 500 liter	12–18	22–32	ganske herdet
3	± 1000 liter	8–12	15–22	middels
4	± 1500 liter	4–8	7–15	mykt
5	± 2000 liter	0–4	0–7	veldig mykt
4,0	°DH = 0,714 mmol/liter			
5,6	°DH = 1,000 mmol/liter			
8,0	°DH = 1,429 mmol/liter			
12,0	°DH = 2,143 mmol/liter			
18,0	°DH = 3,214 mmol/liter			
30,0	°DH = 5,357 mmol/liter			
10,0	°TH = 1,000 mmol/liter			

*Tabell 3 Innstillinger etter vannets hardhet*

### TIPS

- Spør det lokale vannverket om hvor hardt vannet er.



## 1.6 Retting av funksjonsfeil

Ved feil må du først lese problemløsingstabellene. Hvis ikke problemet kan løses, må du kontakte din Bravilor Bonamat®-forhandler, servicetekniker eller brukerstøtte.

### 1.6.1 Funksjonsfeilanalysegenerelt

Symptom	Mulig årsak:	Løsning:
1. Maskinen virker ikke, og displayet er tomt.	Stopslet er ikke satt i kontakten.	Sett stopslet i kontakten.
	En eksternt sikring har gått.	Bytt eller tilbakestill den eksterne sikringen.
	Gruppen er overbelastet.	Kople maskinen til en annen gruppe.

## 1.7 Forbruksvarer og tilbehør

### 1.7.1 Anbefalte forbruksvarer

Benevnelse	Bestillingsnummer	Antall
Papirfilter	7.150.101.101	1000 stk.
Avflakingsmiddel (RENEGITE)	7.190.101.103	48 x 50 gr.
	7.190.103.103	40 x 100 gr.
	7.190.102.101	6 x 1 kg.
Rensemidler (CLEANER)	7.191.101.212	60 x 15 gr.
	7.191.102.201	10 x 1 kg.

### 1.7.2 Tilbehør

Tefilterholder : 7.091.102.101

<p>8,40 Kg.</p> <p>230 W 122 215 E 42 RLX 3 W 42 66 3/8"</p>	<p>10,5 Kg.</p> <p>230 W 122 265 E 58 RLX 4 W 42 66 3/8"</p>
<p>10,5 Kg.</p> <p>230 W 122 265 E 58 RLX 5 W 42 66 3/8"</p>	<p>15,0 Kg.</p> <p>460 W 122 275 E 298 RLX 31 W 42 66 3/8"</p>
<p>17,0 Kg.</p> <p>460 W 122 475 E 298 RLX 41 W 42 66 3/8"</p>	<p>19,5 Kg.</p> <p>460 W 122 475 E 298 RLX 55 W 42 66 3/8"</p>
<p>18,5 Kg.</p> <p>460 W 122 475 E 298 RLX 75 W 42 66 3/8"</p>	<p>16,5 Kg.</p> <p>460 W 122 275 E 298 RLX 76 W 42 66 3/8"</p>
<p>20,4 Kg.</p> <p>460 W 122 475 E 298 RLX 85 W 42 66 3/8"</p>	<p>21,5 Kg.</p> <p>690 W 352 705 E 298 RLX 131 W 42 66 3/8"</p>
<p>19,0 Kg.</p> <p>690 W 352 705 E 298 RLX 231 W 42 66 3/8"</p>	<p>21,1 Kg.</p> <p>690 W 352 705 E 298 RLX 241 W 42 66 3/8"</p>
<p>26,5 Kg.</p> <p>690 W 352 705 E 298 RLX 575 W 42 66 3/8"</p>	<p>28,5 Kg.</p> <p>690 W 352 705 E 298 RLX 585 W 42 66 3/8"</p>



**/// BRAVILOR<sup>®</sup>  
BONAMAT**

COFFEE BREWING MACHINES  
MACHINES A CAFE  
KAFFEEBRUEHMASCHINEN  
KOFFIEZETAPPARATEN  
© 12-2001

700.403.329B